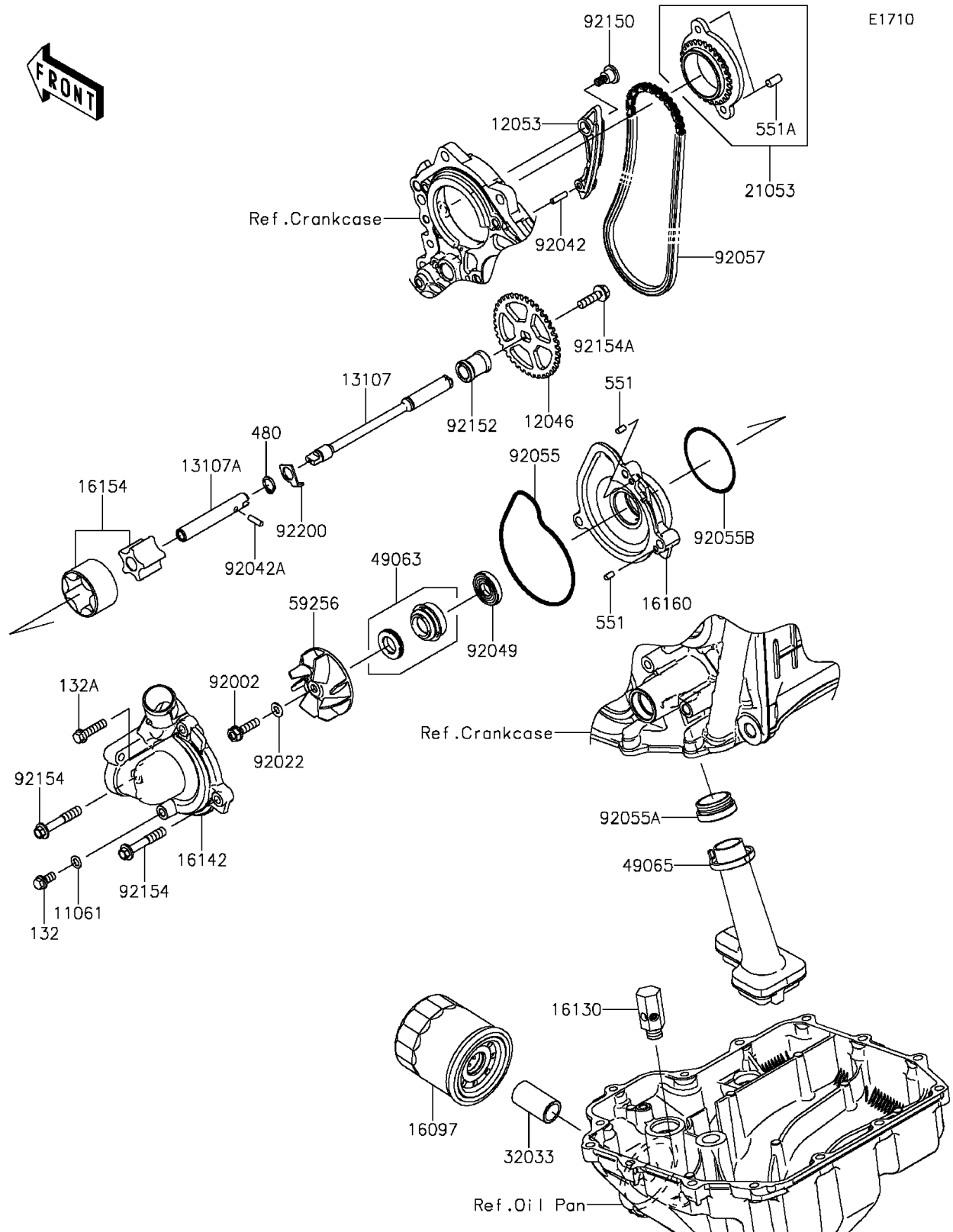


2015 Ninja® ZX™-10R ABS

PARTS DIAGRAM

Oil Pump/Oil Filter



2015 Ninja® ZX™-10R ABS

PARTS LIST

Oil Pump/Oil Filter

ITEM NAME

PART NUMBER

QUANTITY
