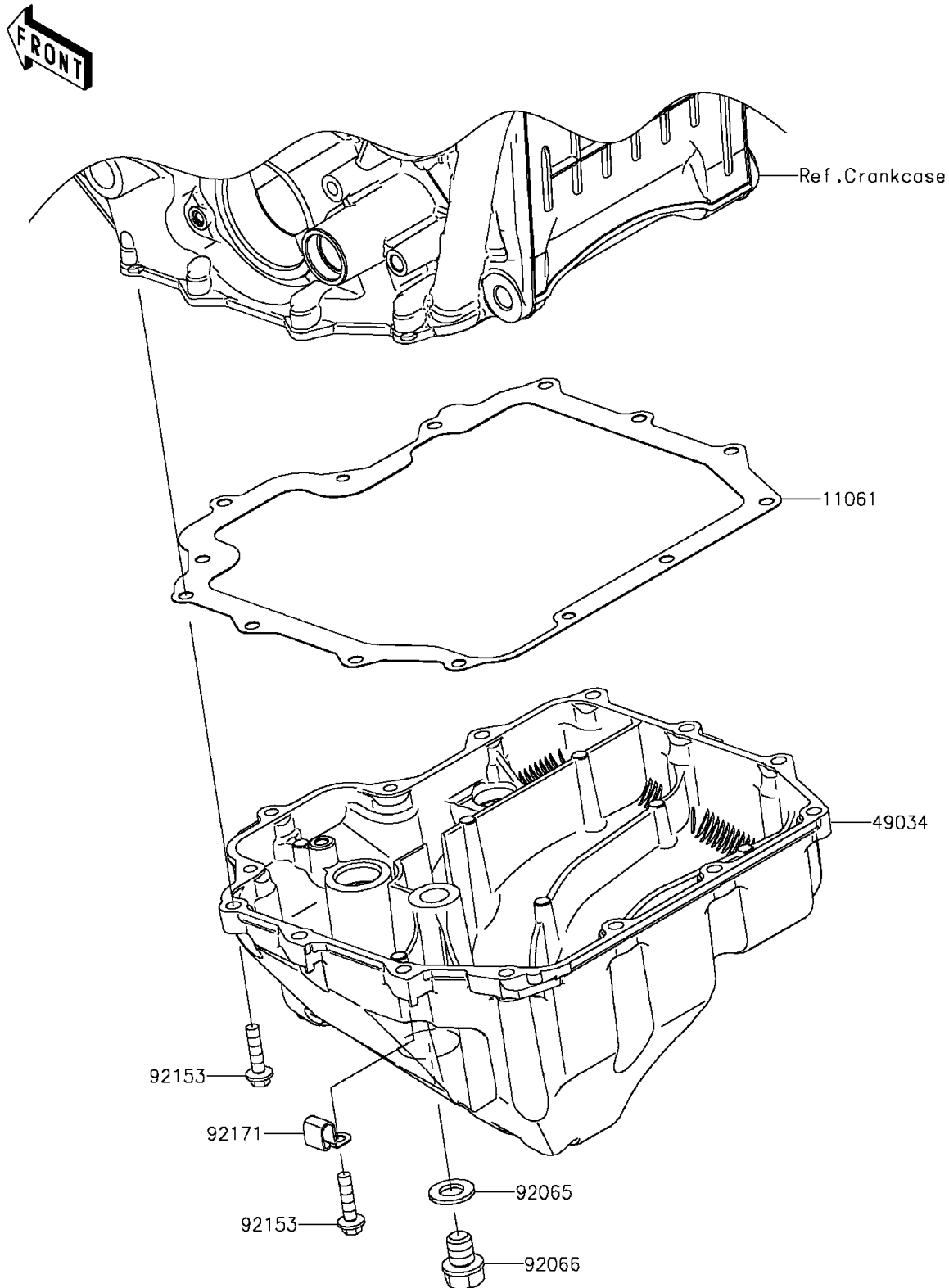


2015 Ninja® ZX™-10R ABS

PARTS DIAGRAM

Oil Pan

E1434



2015 Ninja® ZX™-10R ABS

PARTS LIST

Oil Pan

ITEM NAME

PART NUMBER

QUANTITY
