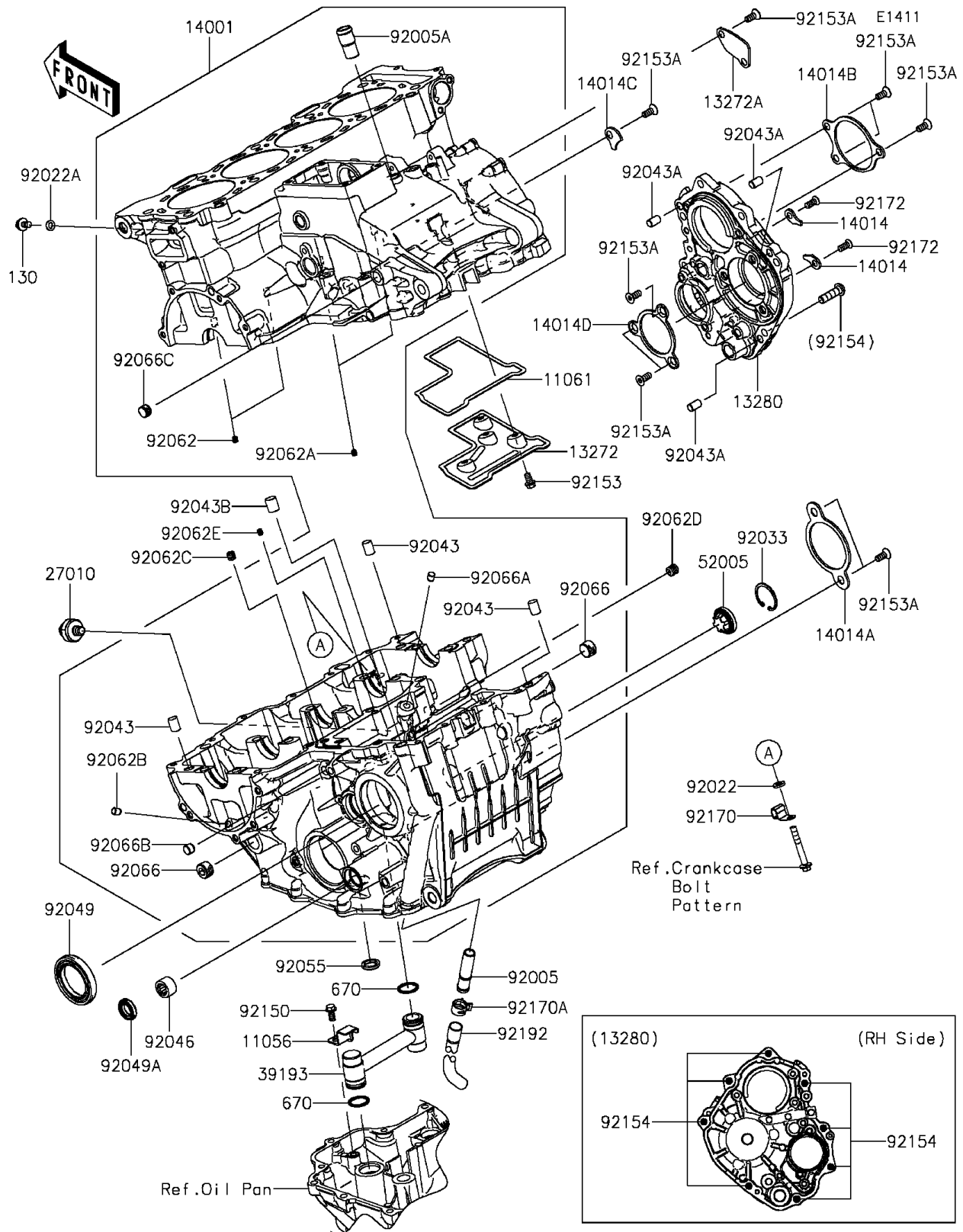


2015 Ninja® ZX™-10R ABS

PARTS DIAGRAM

Crankcase



2015 Ninja® ZX™-10R ABS

PARTS LIST

Crankcase

ITEM NAME

PART NUMBER

QUANTITY
