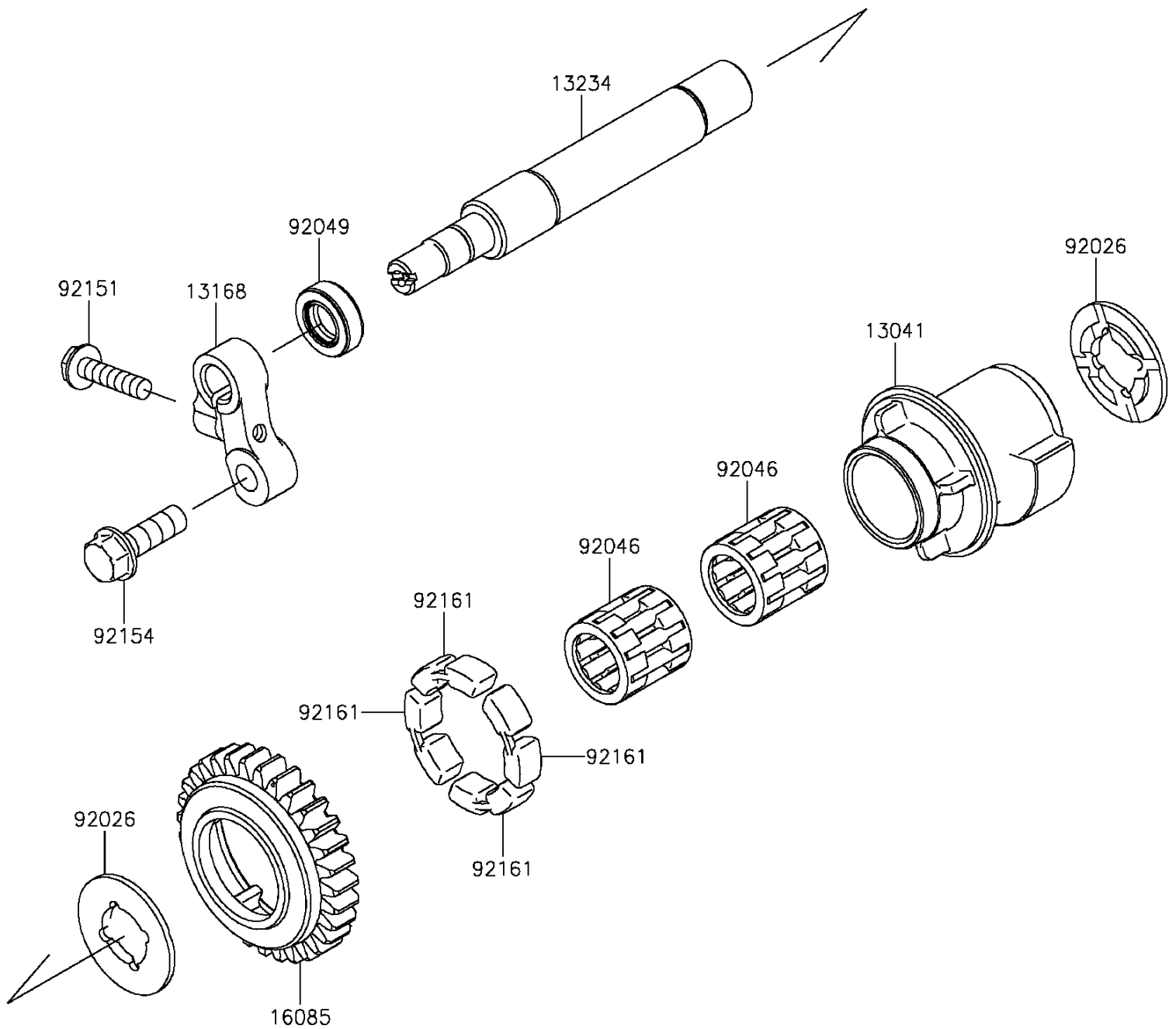


2015 Ninja® ZX™-10R ABS

PARTS DIAGRAM

Balancer

E1323



2015 Ninja® ZX™-10R ABS

PARTS LIST

Balancer

ITEM NAME

PART NUMBER

QUANTITY
