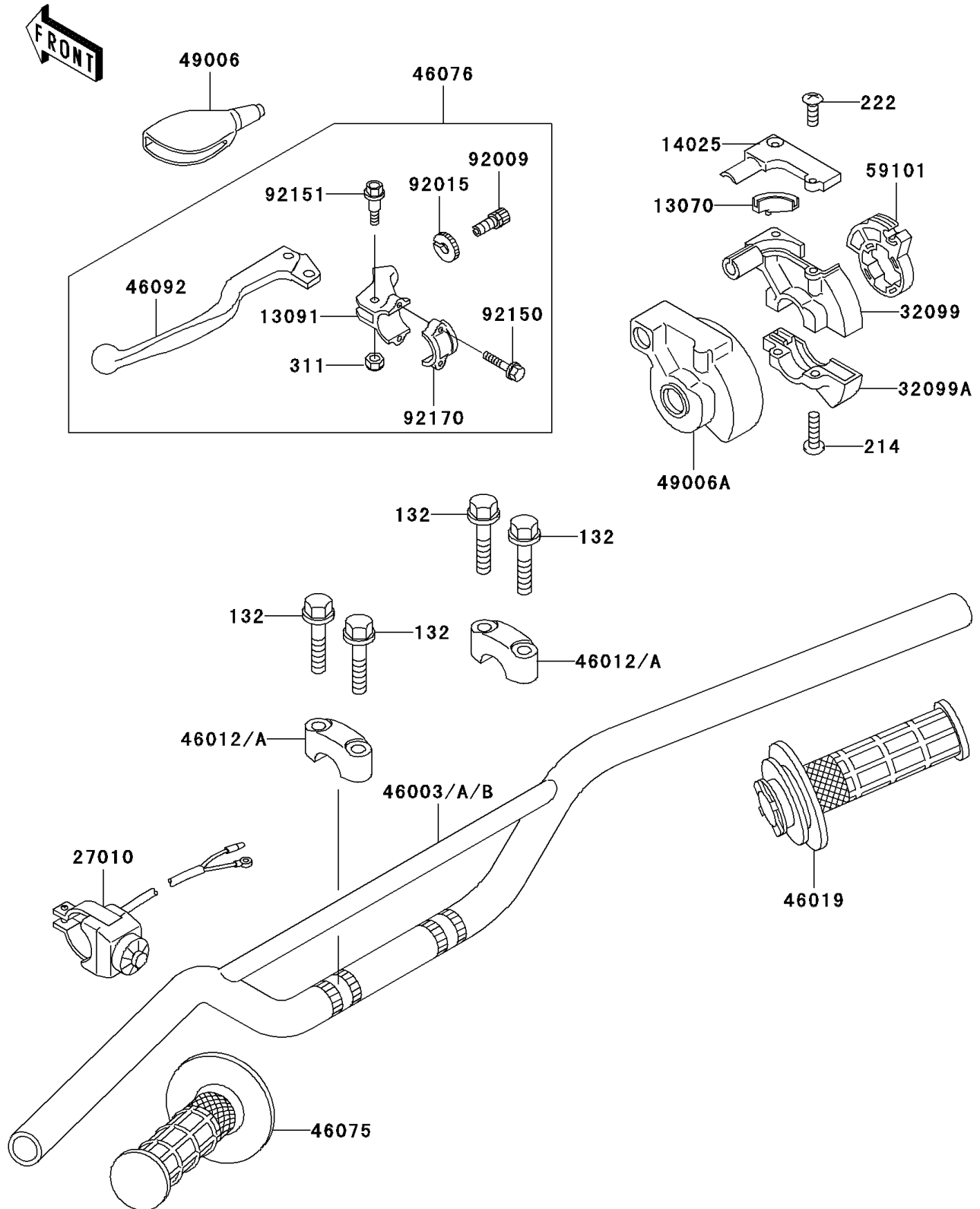


# 2004 KX85

## PARTS DIAGRAM

### Handlebar

F2310



# 2004 KX85

## PARTS LIST

### Handlebar

**ITEM NAME**

**PART NUMBER**

**QUANTITY**

---