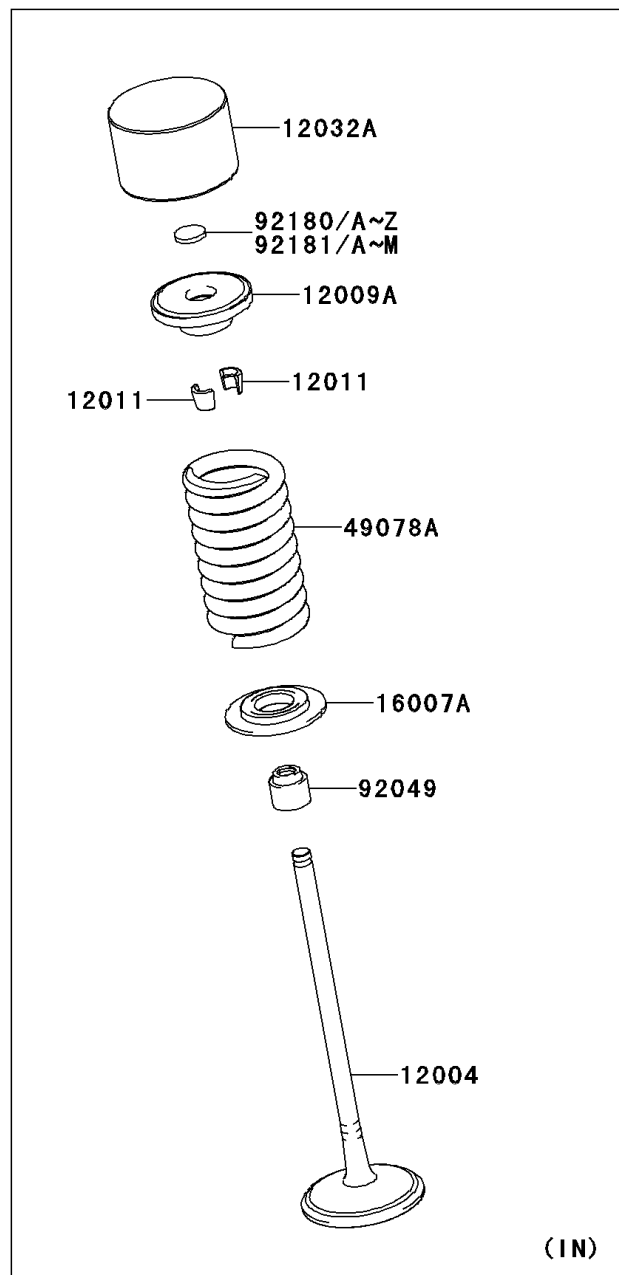
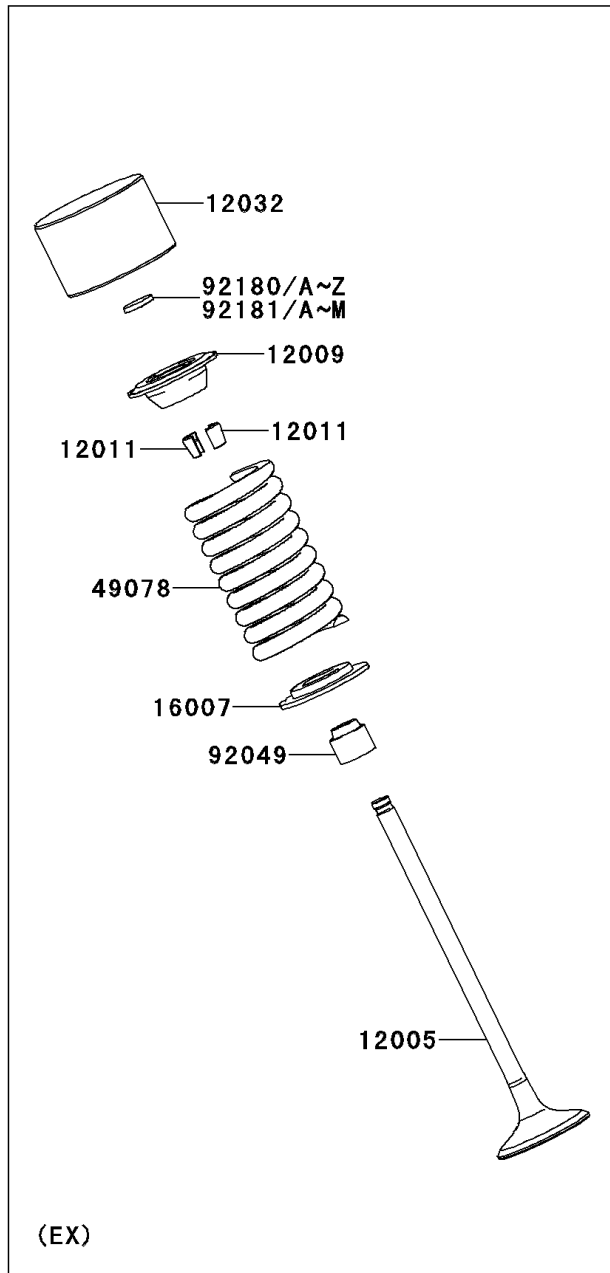


# 2013 NINJA<sup>®</sup> ZX<sup>™</sup>-10R ABS

## PARTS DIAGRAM

### Valve(s)

E1210



# 2013 NINJA® ZX™-10R ABS

## PARTS LIST

Valve(s)

ITEM NAME	PART NUMBER	QUANTITY
-----------	-------------	----------

---