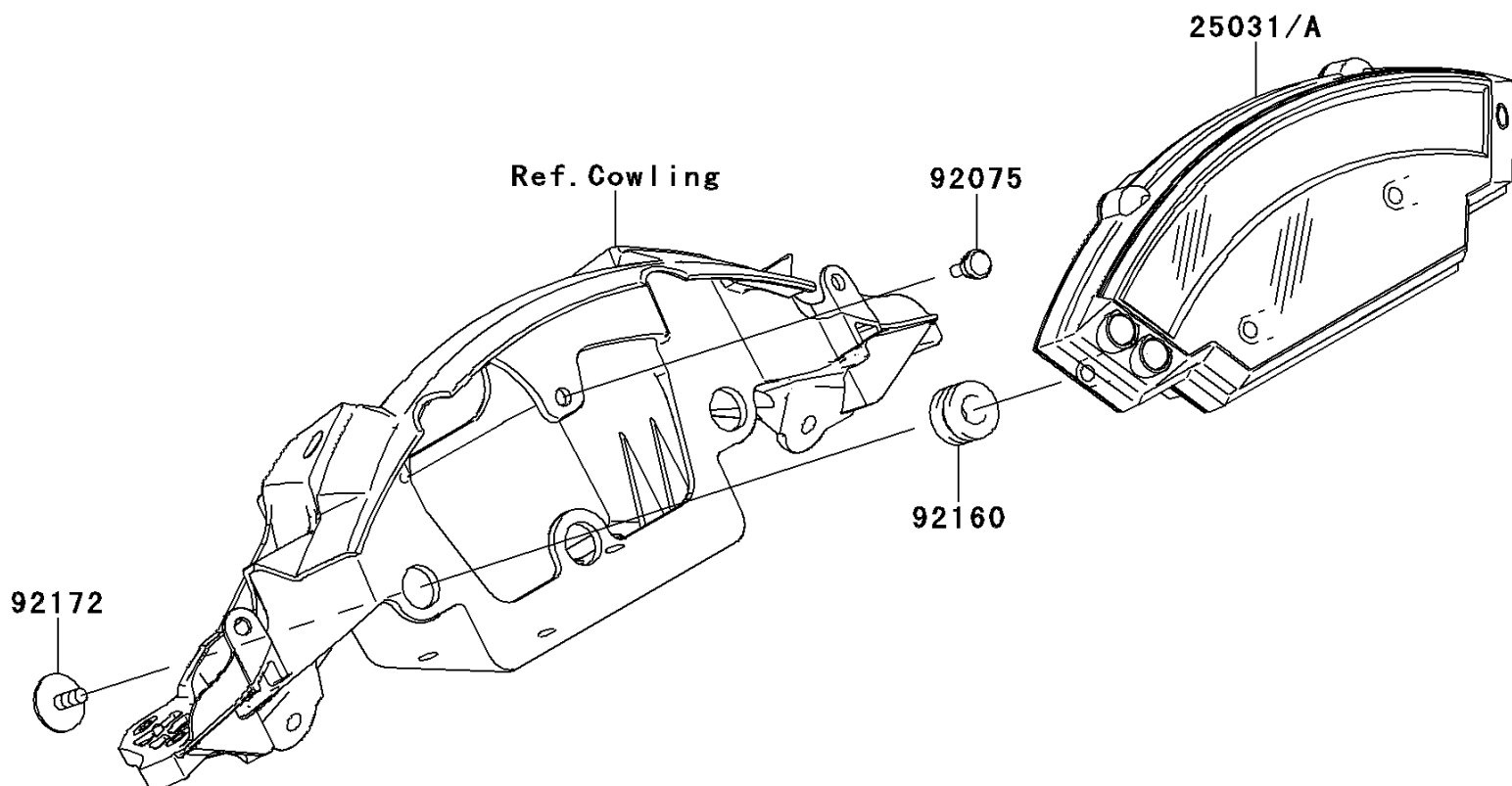


# 2013 NINJA® ZX™-10R

## PARTS DIAGRAM

Meter(s)

F2530



# 2013 NINJA<sup>®</sup> ZX<sup>™</sup>-10R

## PARTS LIST

Meter(s)

**ITEM NAME**

**PART NUMBER**

**QUANTITY**

---