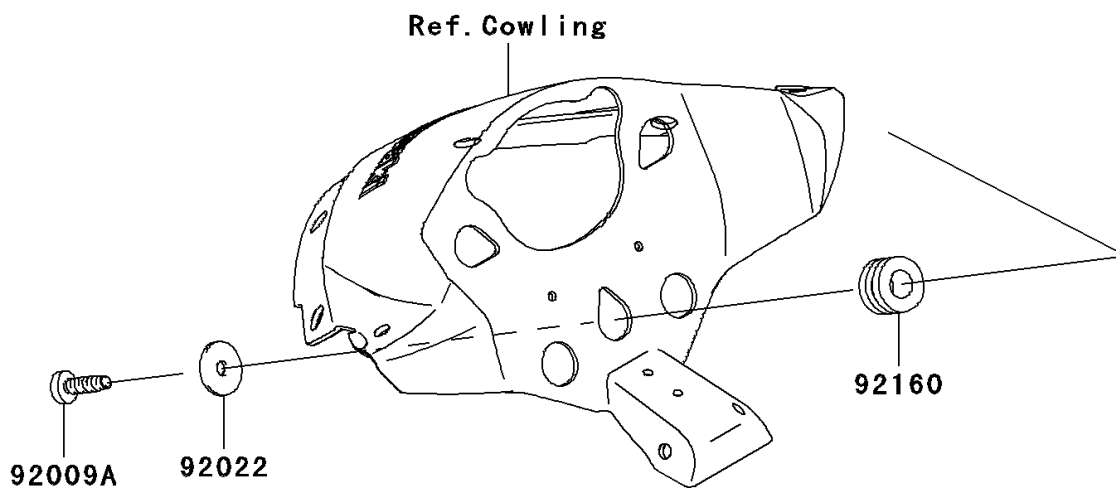
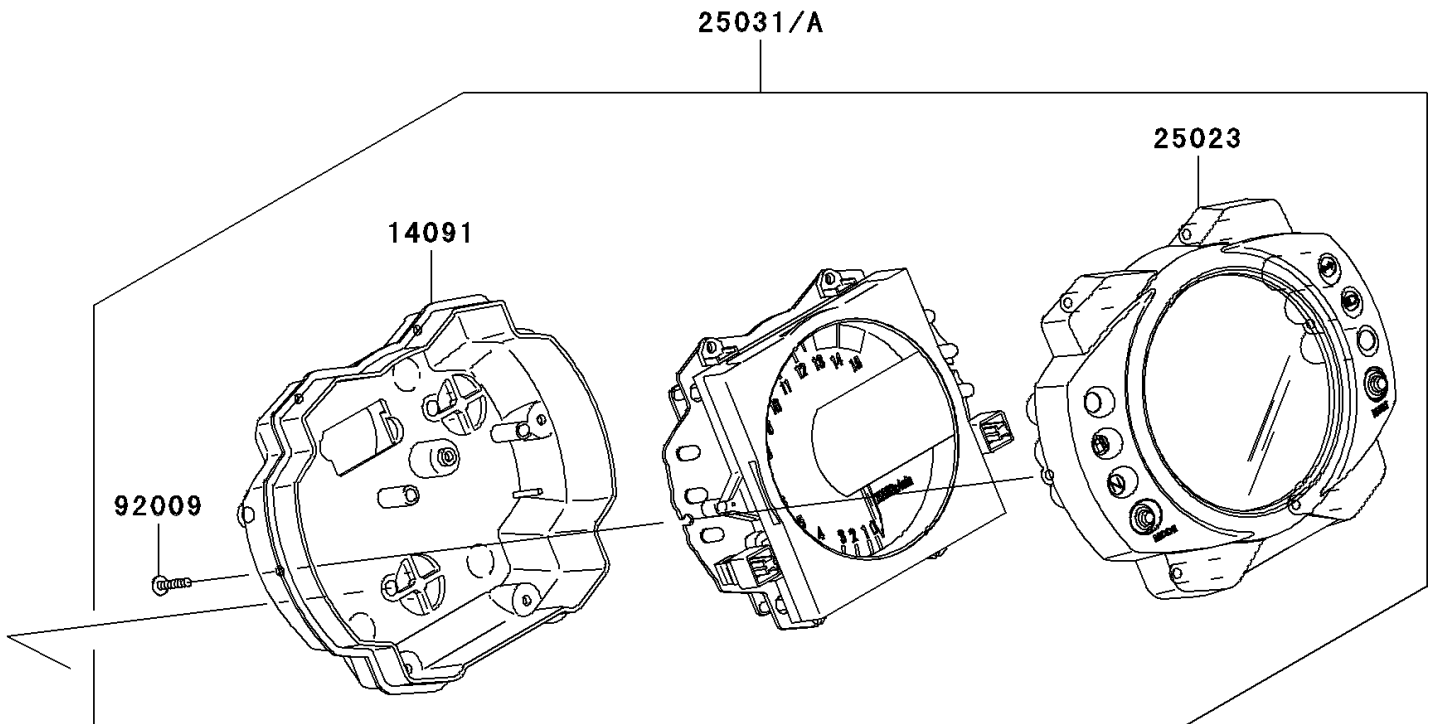


2009 Ninja[®] ZX[™]-10R

PARTS DIAGRAM

Meter(s)

F2530



2009 Ninja® ZX™-10R

PARTS LIST

Meter(s)

ITEM NAME

PART NUMBER

QUANTITY
