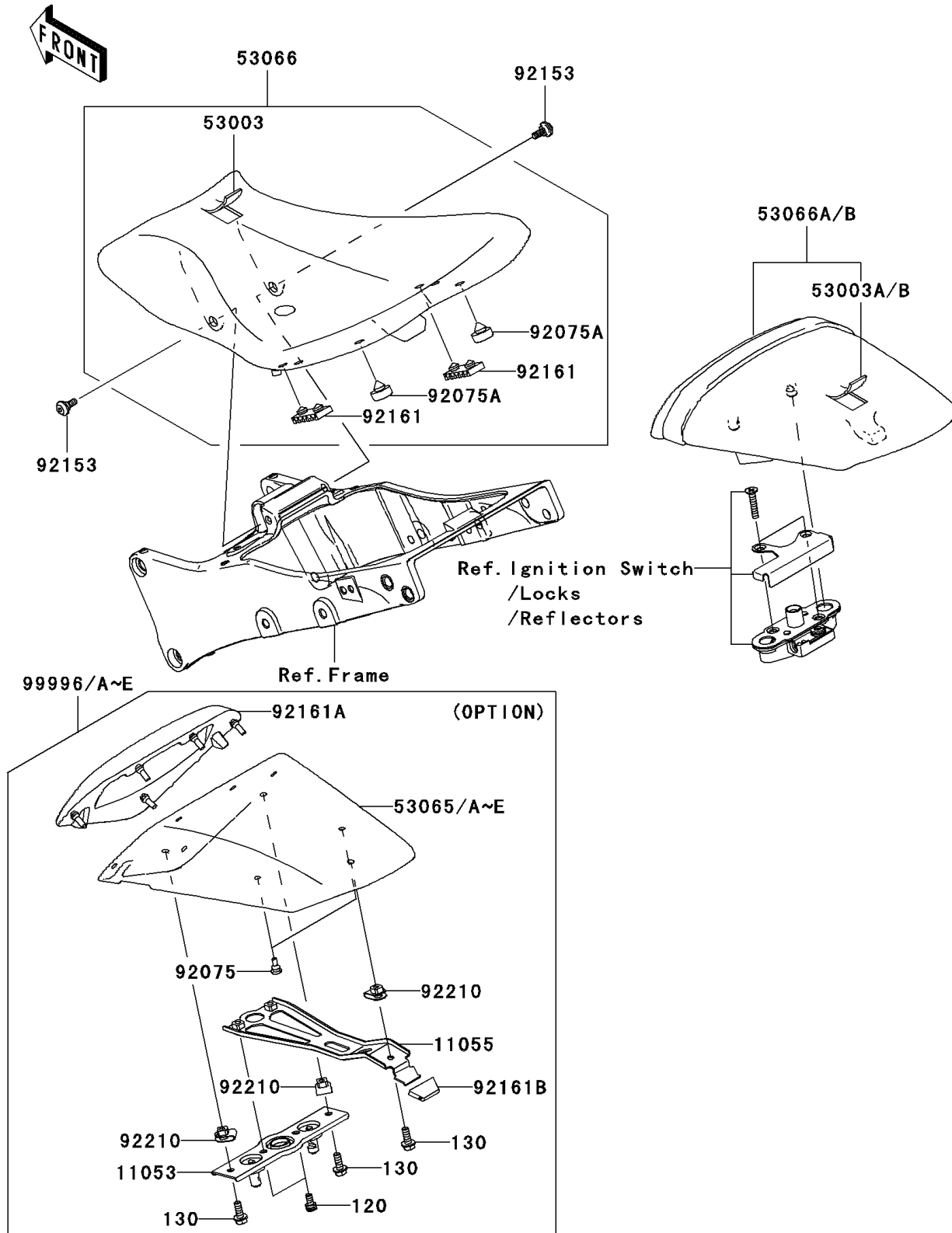


# 2009 Ninja<sup>®</sup> ZX<sup>™</sup>-10R

## PARTS DIAGRAM

### Seat

F2510



# 2009 Ninja® ZX™-10R

## PARTS LIST

Seat

**ITEM NAME**

**PART NUMBER**

**QUANTITY**

---