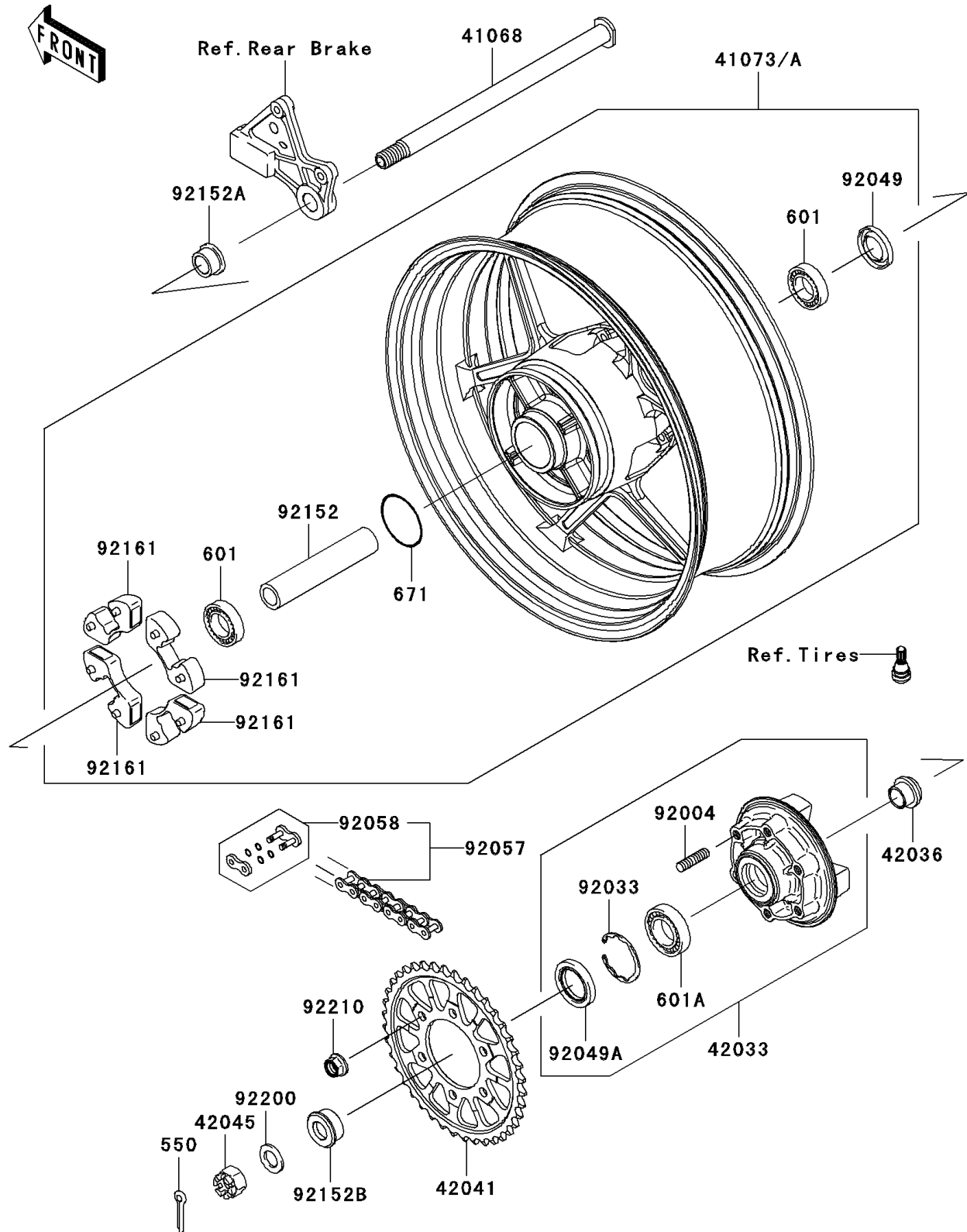


2009 Ninja® ZX™-10R

PARTS DIAGRAM

Rear Wheel/Chain

F2240



2009 Ninja® ZX™-10R

PARTS LIST

Rear Wheel/Chain

ITEM NAME

PART NUMBER

QUANTITY
