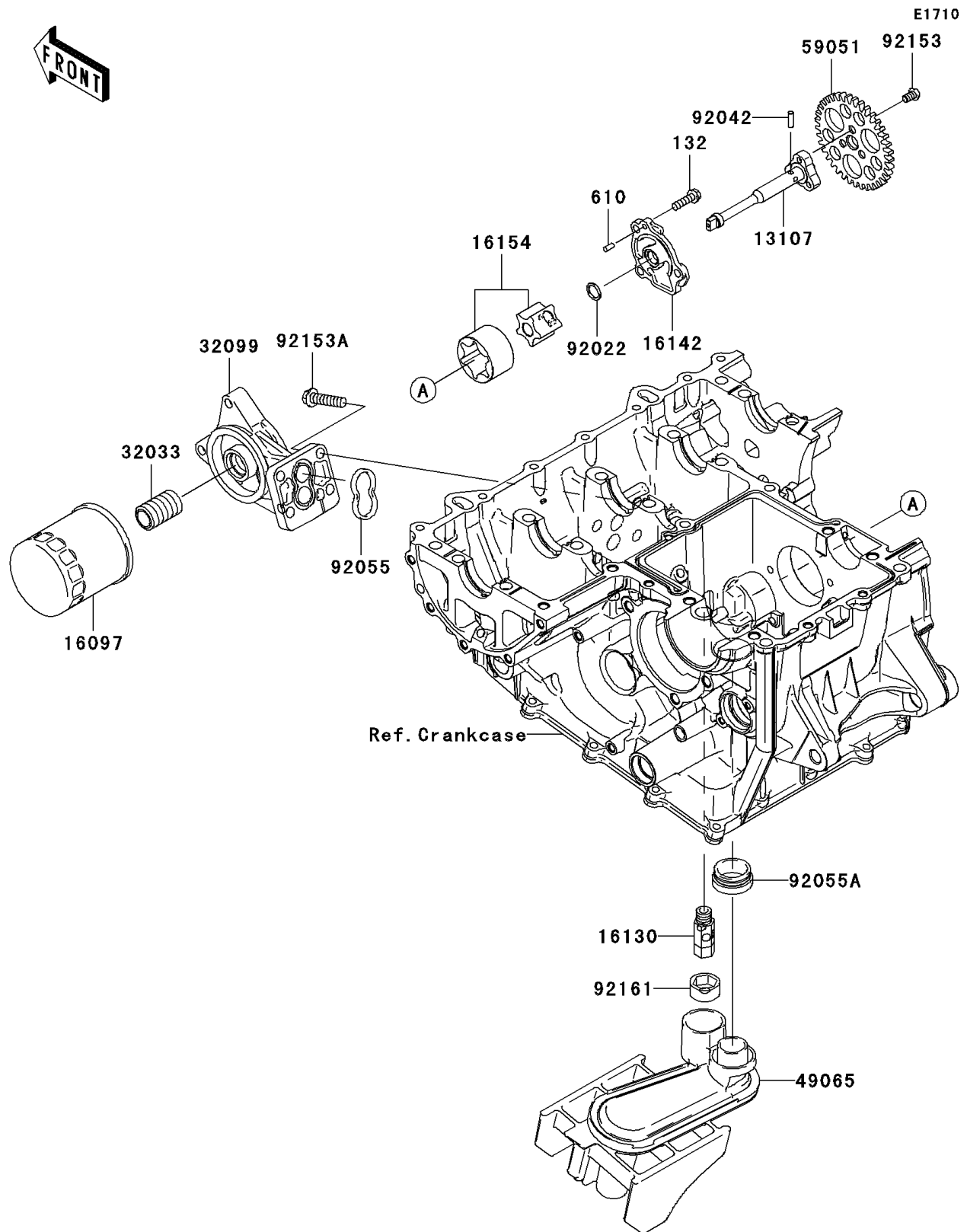


# 2009 Ninja® ZX™-10R

## PARTS DIAGRAM

### Oil Pump/Oil Filter



# 2009 Ninja® ZX™-10R

## PARTS LIST

### Oil Pump/Oil Filter

**ITEM NAME**

**PART NUMBER**

**QUANTITY**

---