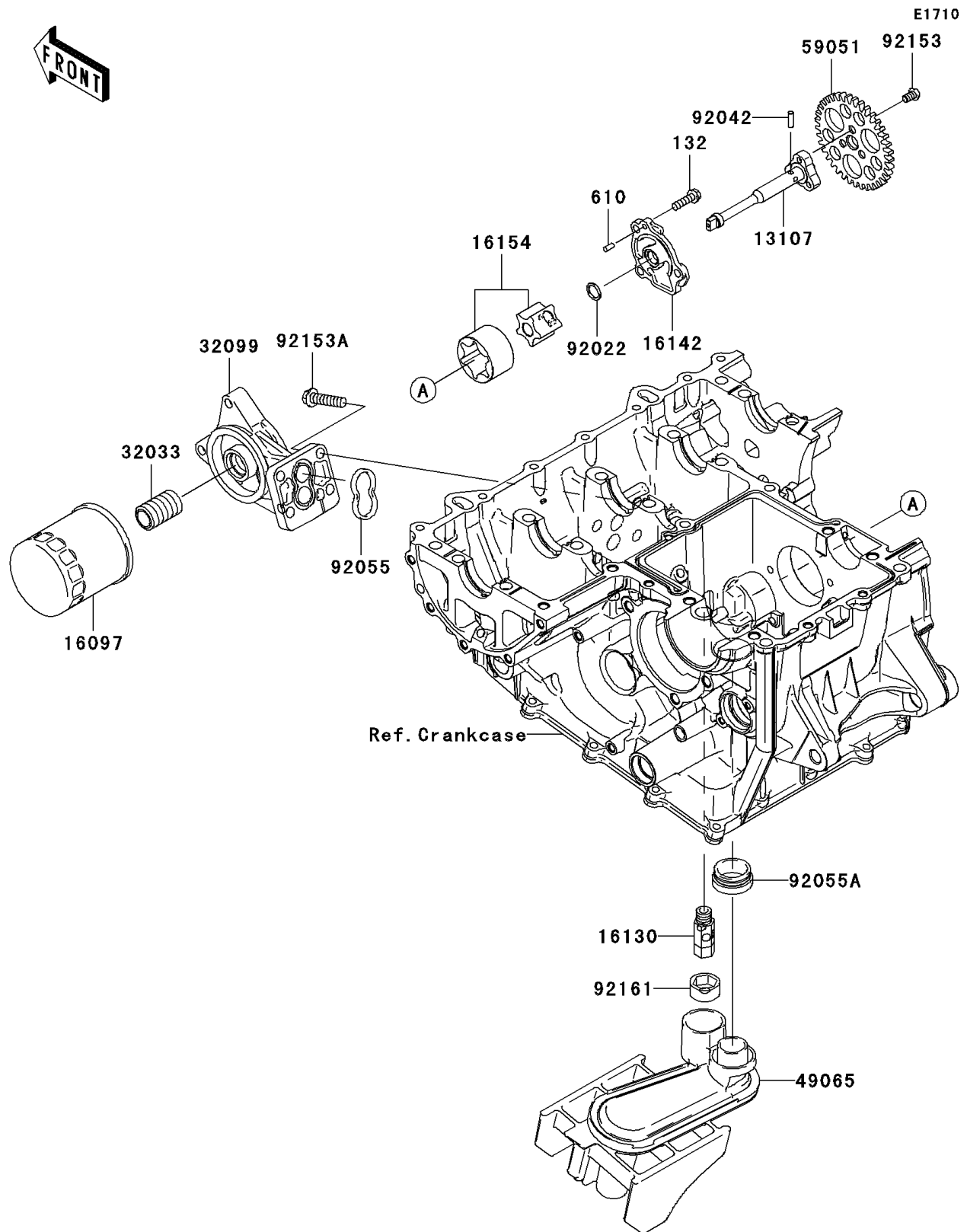


2008 Ninja[®] ZX[™]-10R

PARTS DIAGRAM

Oil Pump/Oil Filter



2008 Ninja® ZX™-10R

PARTS LIST

Oil Pump/Oil Filter

ITEM NAME

PART NUMBER

QUANTITY
