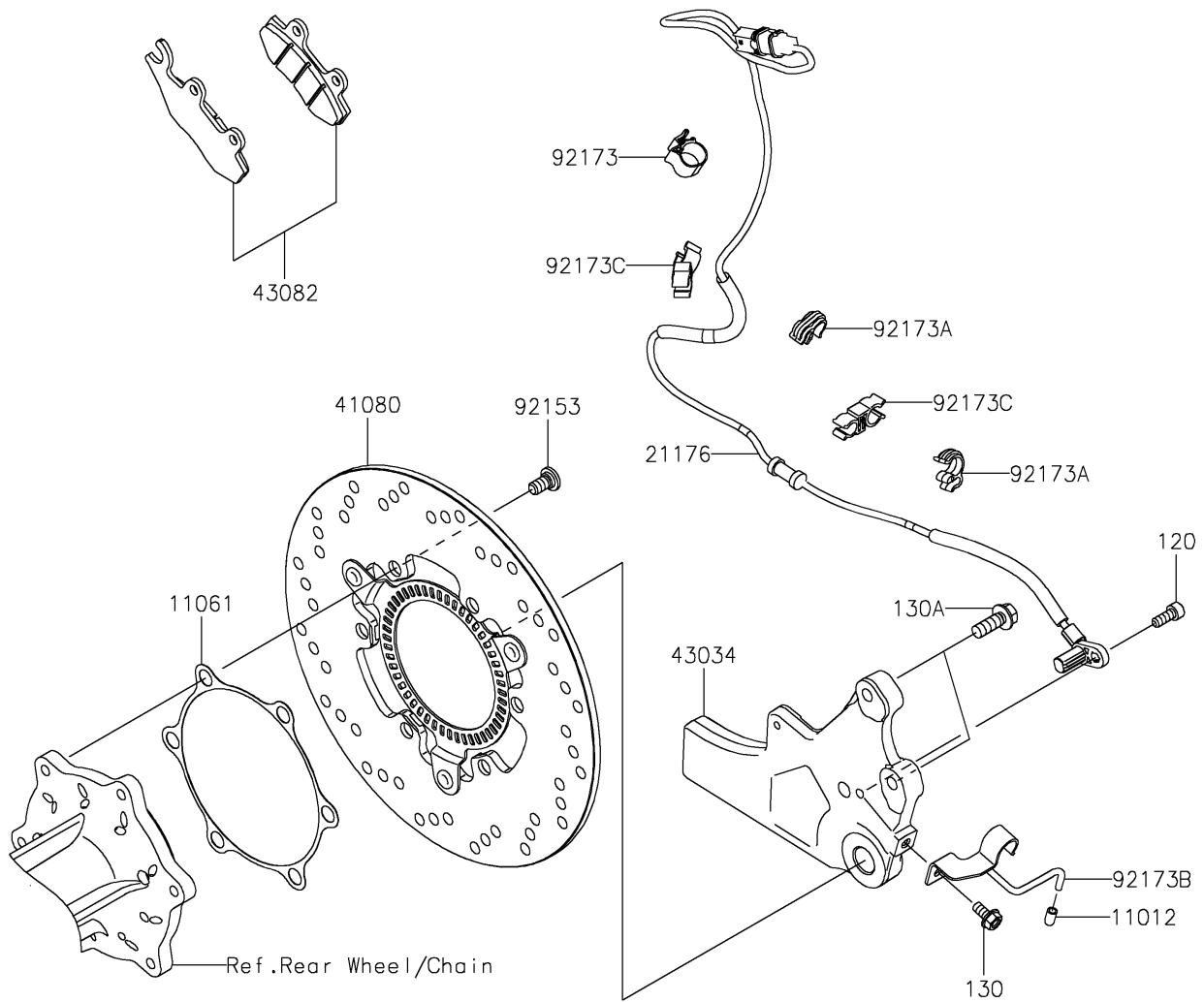
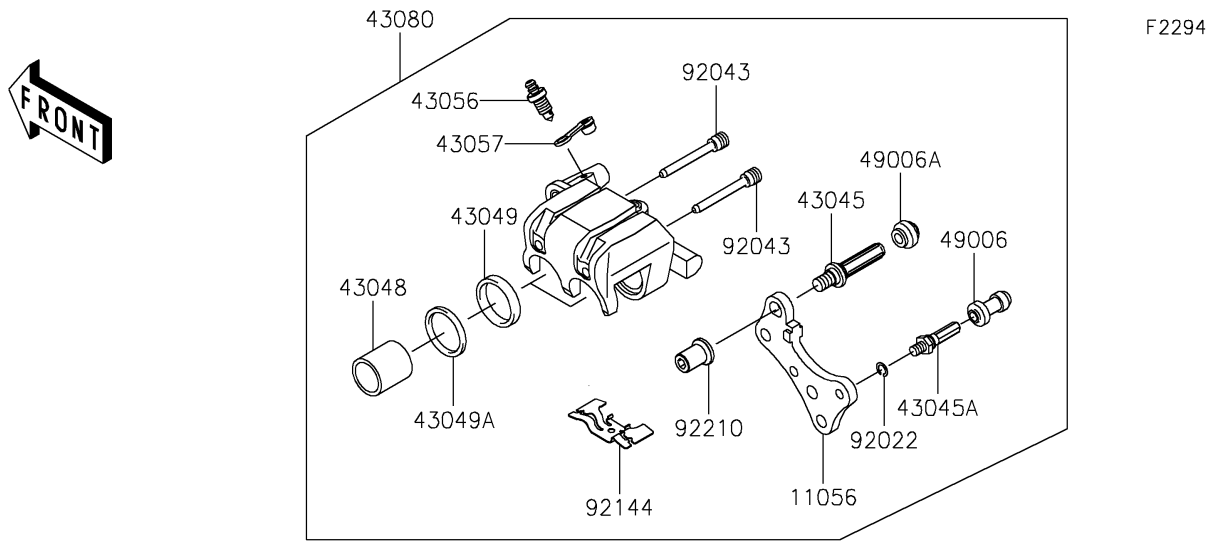


2020 W800 CAFE

PARTS DIAGRAM

Rear Brake



2020 W800 CAFE

PARTS LIST

Rear Brake

ITEM NAME	PART NUMBER	QUANTITY
CAP (Ref # 11012)	11012-1438	1
BRACKET,CALIPER (Ref # 11056)	11056-0202	1
GASKET (Ref # 11061)	11061-1318	1
SENSOR,ABS,RR (Ref # 21176)	21176-0922	1
DISC,RR (Ref # 41080)	41080-0698	1
HOLDER-BRAKE (Ref # 43034)	43034-0154	1
SHAFT-CALIPER (Ref # 43045)	43045-0004	1
SHAFT-CALIPER (Ref # 43045A)	43045-1010	1
PISTON-CALIPER (Ref # 43048)	43048-1066	2
PACKING (Ref # 43049)	43049-1063	2
PACKING (Ref # 43049A)	43049-1064	2
BREATHER (Ref # 43056)	43056-1055	1
CAP-BREATHER (Ref # 43057)	43057-1001	1
CALIPER-SUB-ASSY,RR,BLACK (Ref # 43080)	43080-0096-25S	1
PAD-ASSY-BRAKE (Ref # 43082)	43082-0128	1
BOOT,CALIPER (Ref # 49006)	49006-1088	1
BOOT,CALIPER (Ref # 49006A)	49006-1242	1
WASHER,WAVE (Ref # 92022)	92022-1373	1
PIN,HANGER (Ref # 92043)	92043-1416	2
SPRING,PAD (Ref # 92144)	92144-1847	1
BOLT,SOCKET,8X15 (Ref # 92153)	92153-1548	6
CLAMP,CLIP (Ref # 92173)	92173-0127	1
CLAMP,HOSE&SENSOR LINE (Ref # 92173A)	92173-1613	2
CLAMP,BRAKE HOSE (Ref # 92173B)	92173-2135	1
CLAMP (Ref # 92173C)	92173-2163	2
NUT (Ref # 92210)	92210-0615	1
BOLT-SOCKET,6X16 (Ref # 120)	120CB0616	1
BOLT-FLANGED,6X12 (Ref # 130)	130BB0612	1
BOLT-FLANGED,8X22 (Ref # 130A)	130BC0822	2