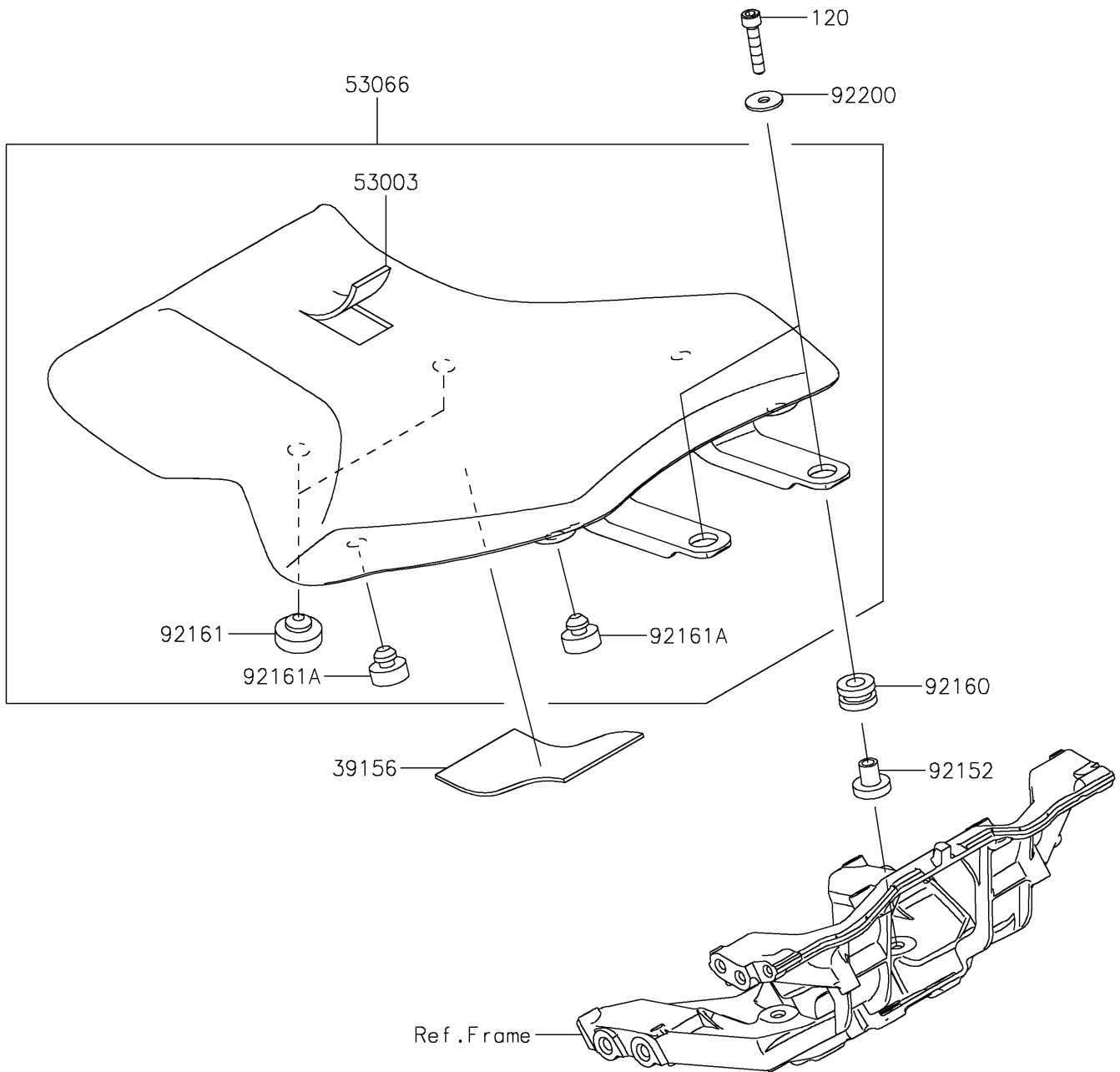


# 2021 NINJA H2<sup>®</sup> CARBON

## PARTS DIAGRAM

### Seat

F2510



# 2021 NINJA H2<sup>®</sup> CARBON

## PARTS LIST

Seat

**ITEM NAME**

**PART NUMBER**

**QUANTITY**

---