

# 2019 NINJA H2™

## PARTS DIAGRAM

### Cables

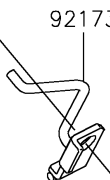
F2540



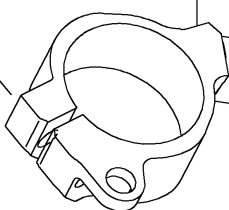
Ref. Hand lebar



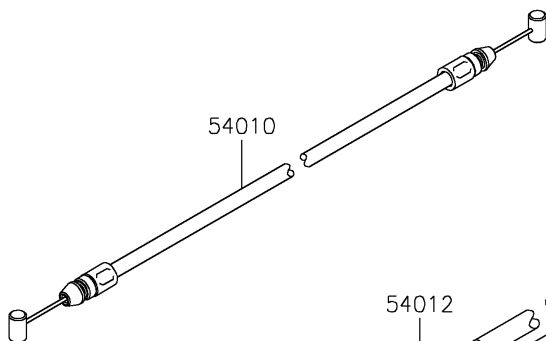
92173



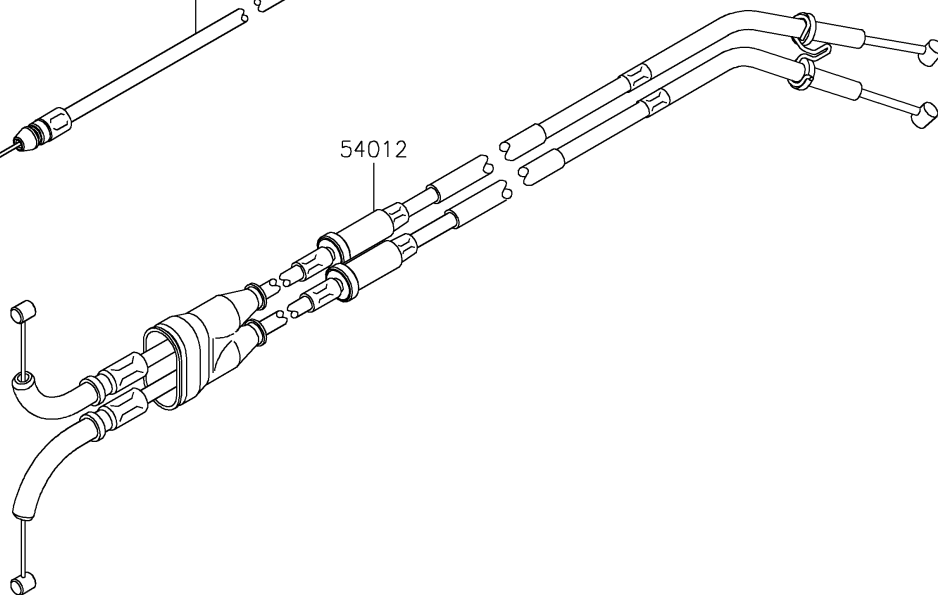
Ref. Hand lebar



54010



54012



# 2019 NINJA H2™

## PARTS LIST

### Cables

**ITEM NAME**

**PART NUMBER**

**QUANTITY**

---