

# 2019 NINJA H2™

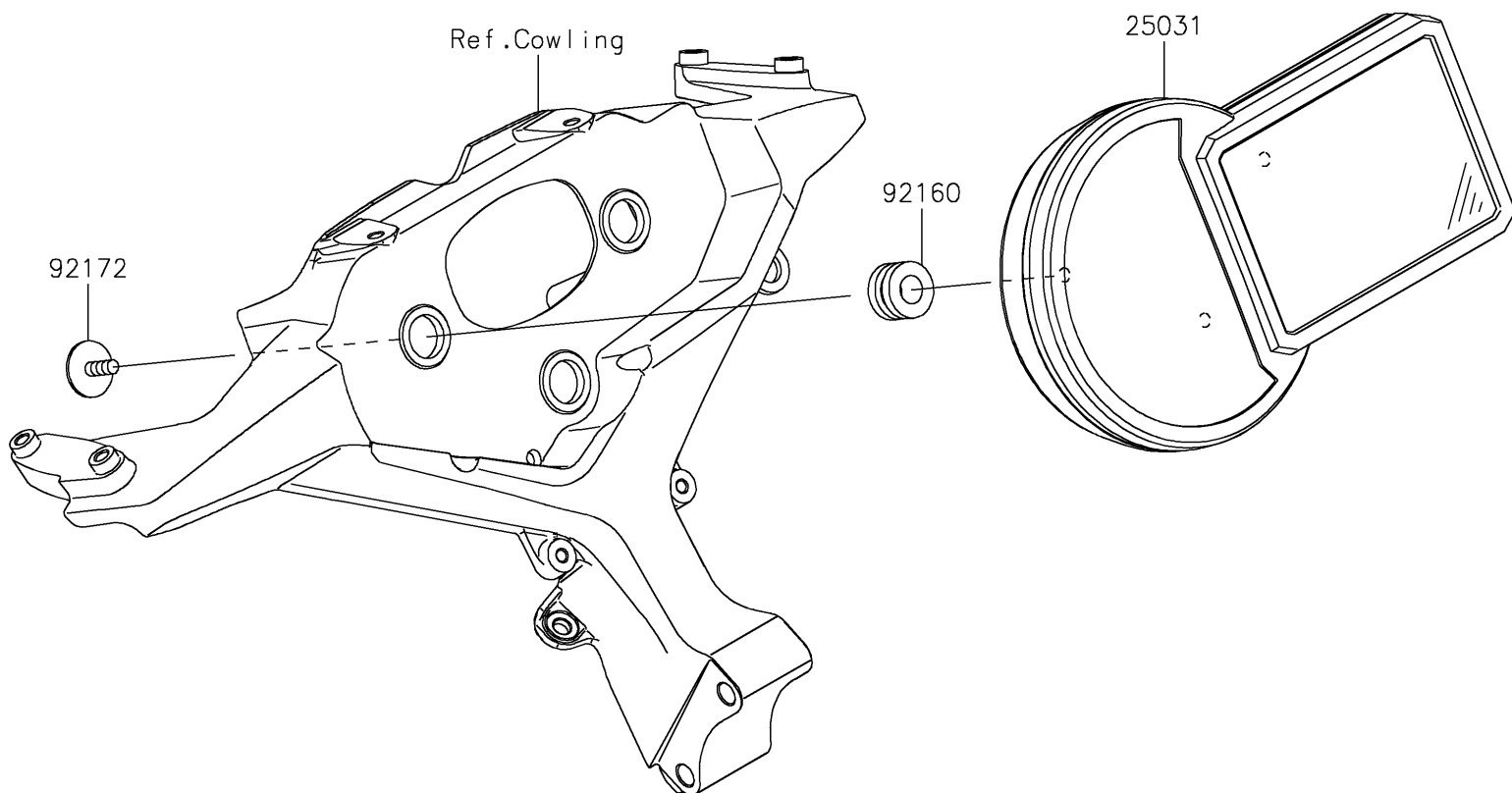
## PARTS DIAGRAM

Meter(s)

**Kawasaki**

Let the Good Times Roll®

F2530



# 2019 NINJA H2™

## PARTS LIST

Meter(s)

**ITEM NAME**

**PART NUMBER**

**QUANTITY**

---