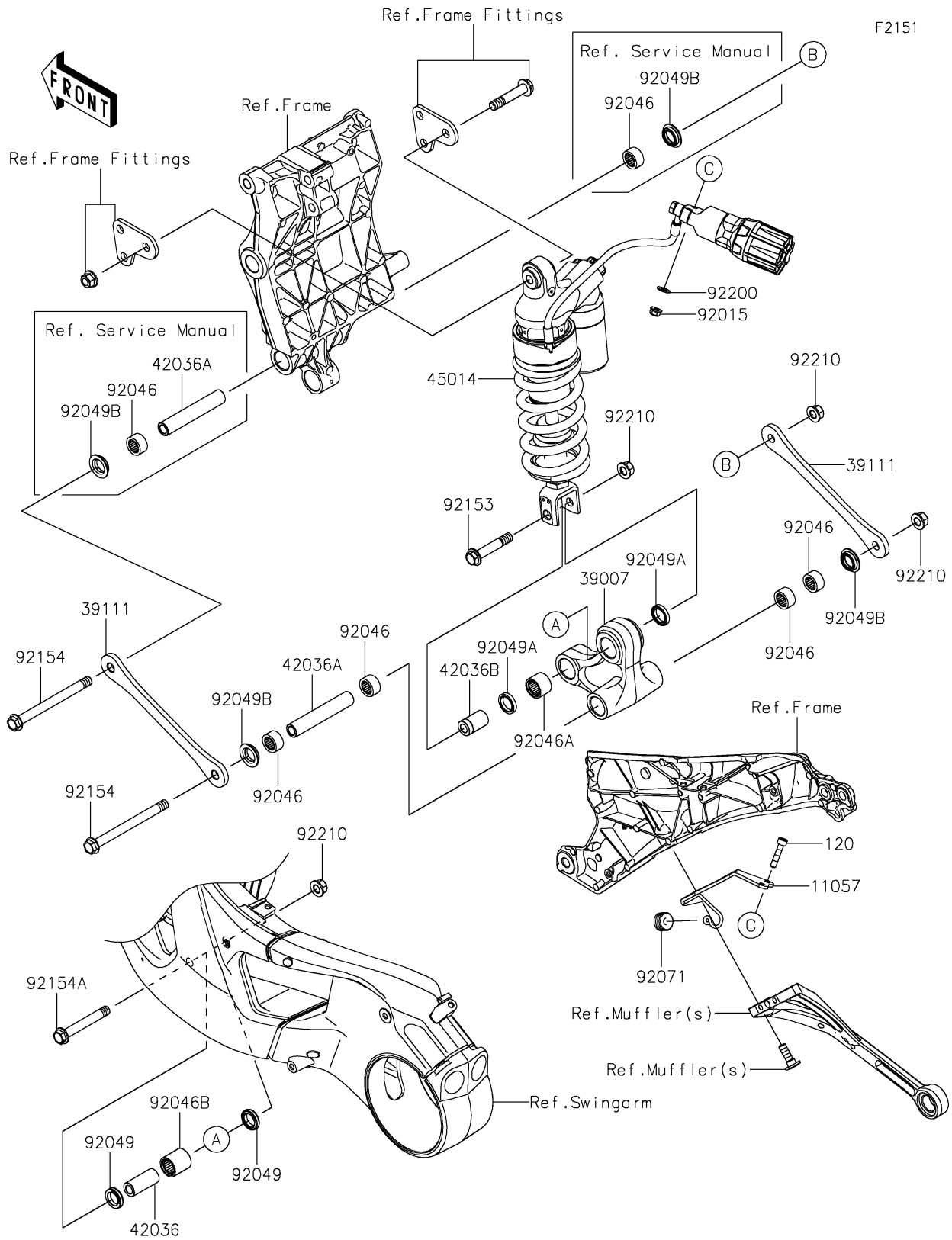


2019 NINJA H2™

PARTS DIAGRAM

Suspension/Shock Absorber



2019 NINJA H2™

PARTS LIST

Suspension/Shock Absorber

ITEM NAME	PART NUMBER	QUANTITY
BRACKET (Ref # 11057)	11057-0669	1
ARM-SUSP (Ref # 39007)	39007-0406	1
ROD-TIE,SUSPENSION (Ref # 39111)	39111-0348	2
SLEEVE,10.1X17X39 (Ref # 42036)	42036-0075	1
SLEEVE,10.1X16X90.5 (Ref # 42036A)	42036-0763	2
SLEEVE,10.1X18X30 (Ref # 42036B)	42036-1258	1
SHOCKABSORBER,OHLINS (Ref # 45014)	45014-0642	1
NUT,LOCK,FLANGED,6MM (Ref # 92015)	92015-1603	2
BEARING-NEEDLE,16BM2212 (Ref # 92046)	92046-1192	6
BEARING-NEEDLE,SFYZM182417 (Ref # 92046A)	92046-1272	1
BEARING-NEEDLE,SFYZM172425 (Ref # 92046B)	92046-1273	1
SEAL-OIL,SD0 17 24 5 NS (Ref # 92049)	92049-0158	2
SEAL-OIL,MHA18244 (Ref # 92049A)	92049-1225	2
SEAL-OIL,SD03 16 22 5.7 (Ref # 92049B)	92049-1466	4
GROMMET (Ref # 92071)	92071-0012	1
BOLT,FLANGED,10X55 (Ref # 92153)	92153-1546	1
BOLT,FLANGED,10X114 (Ref # 92154)	92154-1553	2
BOLT,FLANGED,10X70 (Ref # 92154A)	92154-1695	1
WASHER,6.2X15X1.2 (Ref # 92200)	92200-1762	2
NUT,LOCK,FLANGED,10MM (Ref # 92210)	92210-1139	4
BOLT-SOCKET,6X28 (Ref # 120)	120CB0628	2