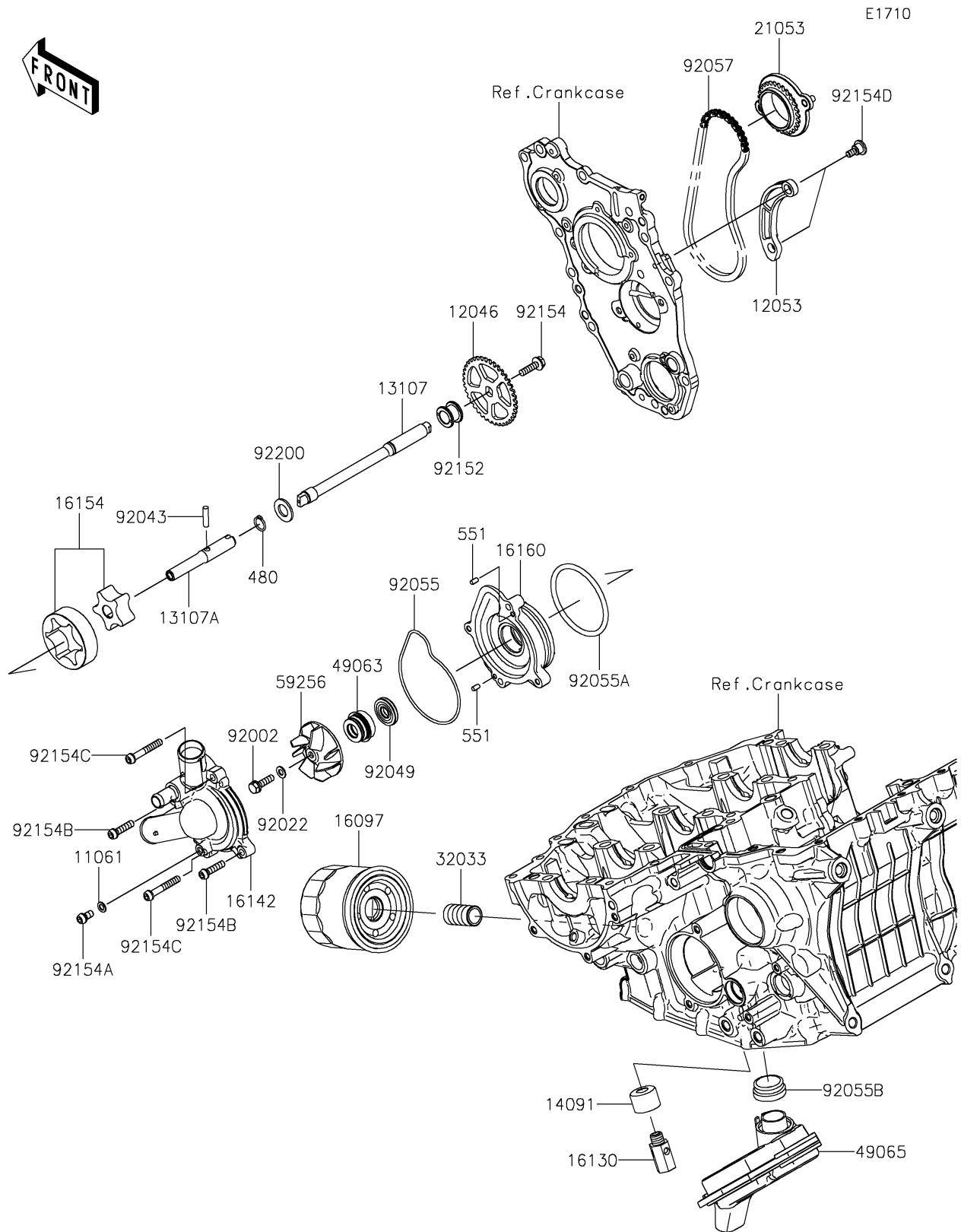


2019 NINJA H2™

PARTS DIAGRAM

Oil Pump/Oil Filter



2019 NINJA H2™

PARTS LIST

Oil Pump/Oil Filter

ITEM NAME

PART NUMBER

QUANTITY
