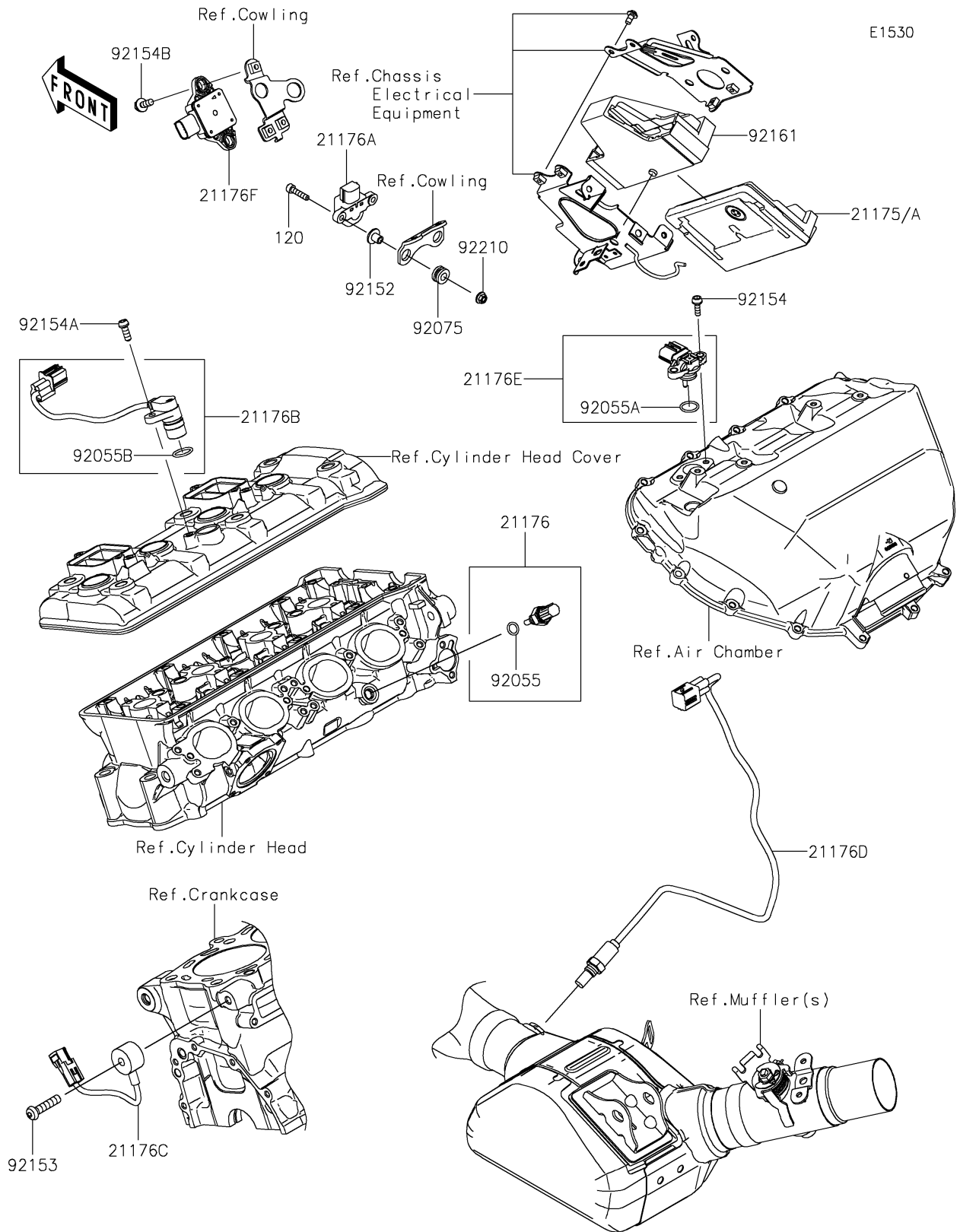


2019 NINJA H2™

PARTS DIAGRAM

Fuel Injection



2019 NINJA H2™

PARTS LIST

Fuel Injection

ITEM NAME	PART NUMBER	QUANTITY
CONTROL UNIT-ELECTRONIC (Ref # 21175)	21175-1457	1
CONTROL UNIT-ELECTRONIC (Ref # 21175A)	21175-1458	1
SENSOR,WATER TEMP (Ref # 21176)	21176-0009	1
SENSOR,VEHICLE-DOWN (Ref # 21176A)	21176-0026	1
SENSOR,CAM (Ref # 21176B)	21176-0101	1
SENSOR,KNOCK (Ref # 21176C)	21176-0788	1
SENSOR,OXYGEN (Ref # 21176D)	21176-0789	1
SENSOR,INTAKE TEMP&PRESSURE (Ref # 21176E)	21176-0791	1
SENSOR,INERTIAL (Ref # 21176F)	21176-0878	1
RING-O,9.5X1.9 (Ref # 92055)	92055-0016	1
RING-O (Ref # 92055A)	92055-0842	1
RING-O (Ref # 92055B)	92055-1639	1
DAMPER (Ref # 92075)	92075-1912	2
COLLAR (Ref # 92152)	92152-1969	2
BOLT,SOCKET,8X35 (Ref # 92153)	92153-0419	1
BOLT,SOCKET,5X16 (Ref # 92154)	92154-1449	2
BOLT,SOCKET,6X16 (Ref # 92154A)	92154-1454	1
BOLT,FLANGED,6X16 (Ref # 92154B)	92154-1851	2
DAMPER,ECU (Ref # 92161)	92161-1719	1
NUT,FLANGED,5MM (Ref # 92210)	92210-0950	2
BOLT-SOCKET,5X22 (Ref # 120)	120R0522	2