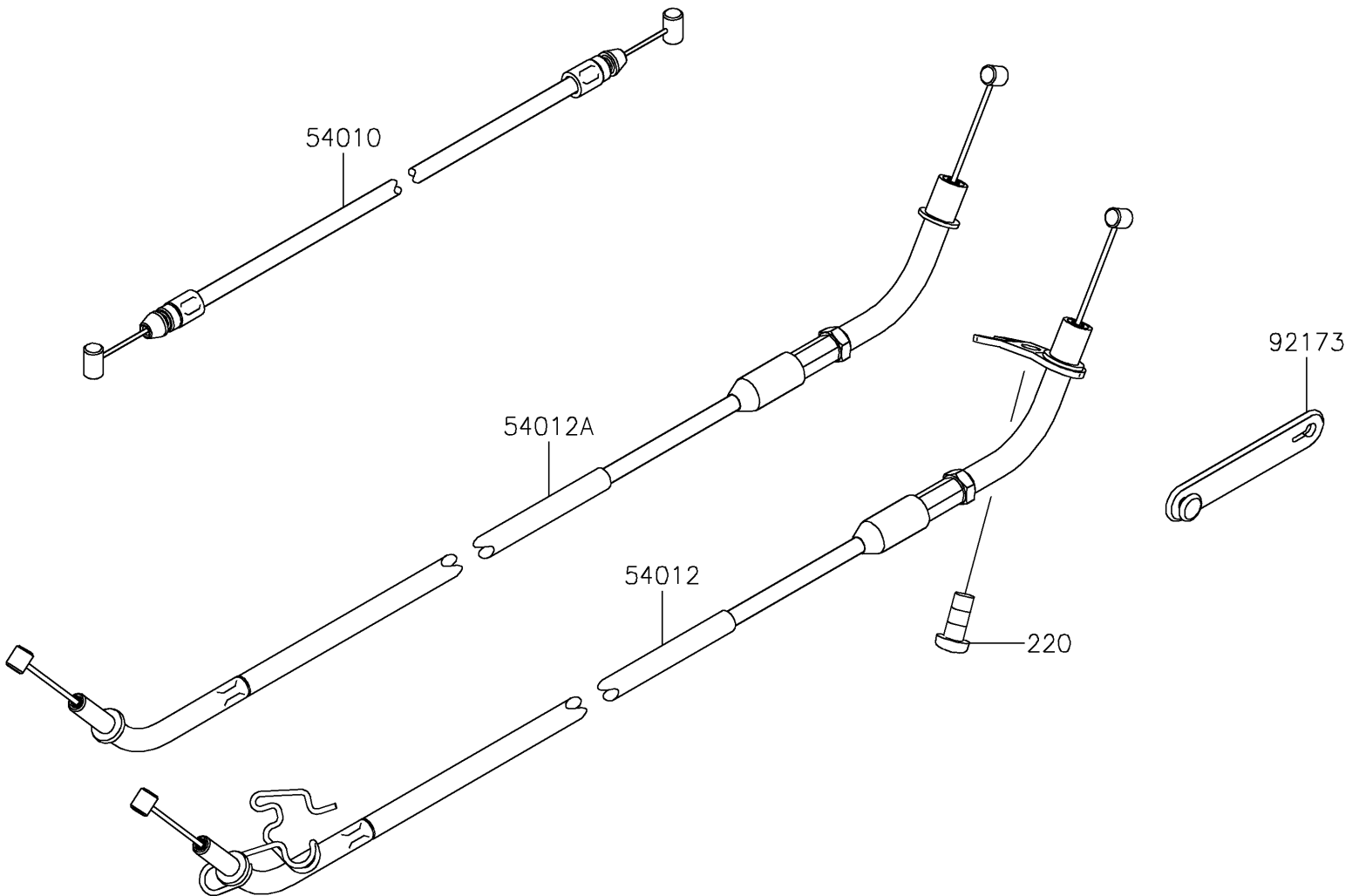


2020 NINJA H2® SX SE+

PARTS DIAGRAM

Cables

F2540



2020 NINJA H2® SX SE+

PARTS LIST

Cables

ITEM NAME

PART NUMBER

QUANTITY
