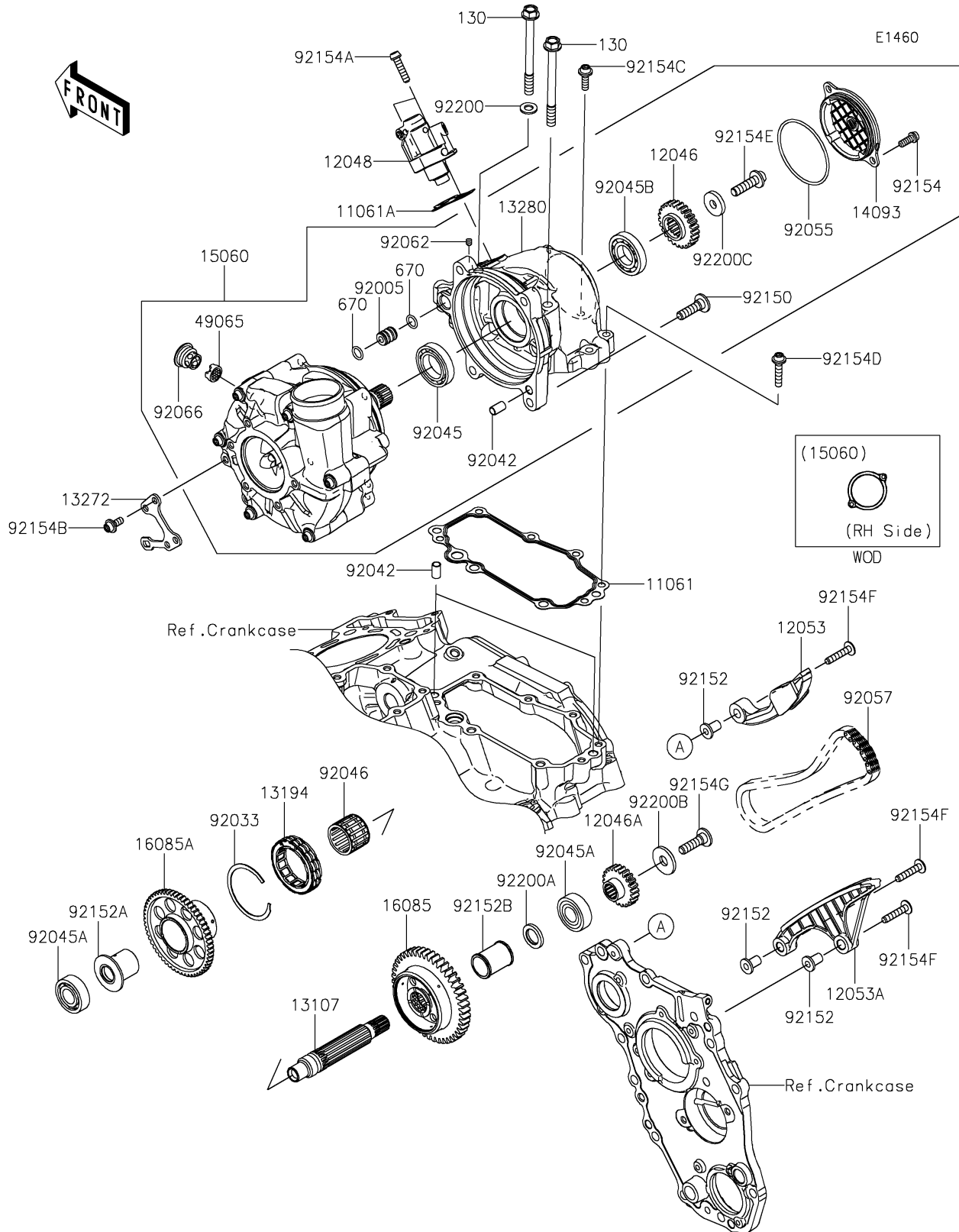


# 2020 NINJA H2® SX SE+

## PARTS DIAGRAM

### Super Charger



# 2020 NINJA H2® SX SE+

## PARTS LIST

### Super Charger

ITEM NAME	PART NUMBER	QUANTITY
GASKET,HOLDER (Ref # 11061)	11061-0948	1
GASKET,TENSIONER (Ref # 11061A)	11061-1279	1
SPROCKET,DRIVEN,25T (Ref # 12046)	12046-0584	1
SPROCKET,DRIVE,22T (Ref # 12046A)	12046-0604	1
TENSIONER-ASSY (Ref # 12048)	12048-0108	1
GUIDE-CHAIN,UPP (Ref # 12053)	12053-0249	1
GUIDE-CHAIN,LWR (Ref # 12053A)	12053-0250	1
SHAFT (Ref # 13107)	13107-0863	1
CLUTCH-ONEWAY (Ref # 13194)	13194-0017	1
PLATE (Ref # 13272)	13272-1849	1
HOLDER (Ref # 13280)	13280-0917	1
COVER (Ref # 14093)	14093-0131	1
COMPRESSOR-ASSY (Ref # 15060)	15060-0006	1
GEAR,BALANCER,46T (Ref # 16085)	16085-0670	1
GEAR,STARTER,56T (Ref # 16085A)	16085-0671	1
FILTER-OIL (Ref # 49065)	49065-0041	1
FITTING,OIL LINE (Ref # 92005)	92005-0769	1
RING-SNAP (Ref # 92033)	92033-3731	1
PIN,DOWEL,6.3X8X14 (Ref # 92042)	92042-007	3
BEARING-BALL,#6905 (Ref # 92045)	92045-036	1
BEARING-BALL,6202ZC3 (Ref # 92045A)	92045-0785	2
BEARING-BALL (Ref # 92045B)	92045-1404	1
BEARING-NEEDLE,22X32X24 (Ref # 92046)	92046-0622	1
RING-O,2.4X62.6 (Ref # 92055)	92055-0790	1
CHAIN,98XRH2020-78N2 (Ref # 92057)	92057-0633	1
NOZZLE (Ref # 92062)	92062-0004	1
PLUG (Ref # 92066)	92066-0821	1
BOLT,8X30 (Ref # 92150)	92150-1728	4
COLLAR (Ref # 92152)	92152-1939	3

# 2020 NINJA H2® SX SE+

## PARTS LIST

### Super Charger

ITEM NAME	PART NUMBER	QUANTITY
COLLAR (Ref # 92152A)	92152-1993	1
COLLAR (Ref # 92152B)	92152-2405	1
BOLT,SOCKET,6X16 (Ref # 92154)	92154-1454	2
BOLT,SOCKET,6X25 (Ref # 92154A)	92154-1458	2
BOLT,SOCKET,6X14 (Ref # 92154B)	92154-1460	4
BOLT,SOCKET,6X20 (Ref # 92154C)	92154-1667	1
BOLT,SOCKET,6X30 (Ref # 92154D)	92154-1668	5
BOLT,SOCKET,8X30 (Ref # 92154E)	92154-1679	1
BOLT (Ref # 92154F)	92154-2824	3
BOLT (Ref # 92154G)	92154-2825	1
WASHER,8.2X16X1.6 (Ref # 92200)	92200-0047	1
WASHER,15.2X24X3 (Ref # 92200A)	92200-1799	1
WASHER,10.2X30X3 (Ref # 92200B)	92200-1935	1
WASHER,8.5X24X4.0 (Ref # 92200C)	92200-3811	1
BOLT-FLANGED,8X90 (Ref # 130)	130CC0890	2
O RING,10MM (Ref # 670)	670D1510	2