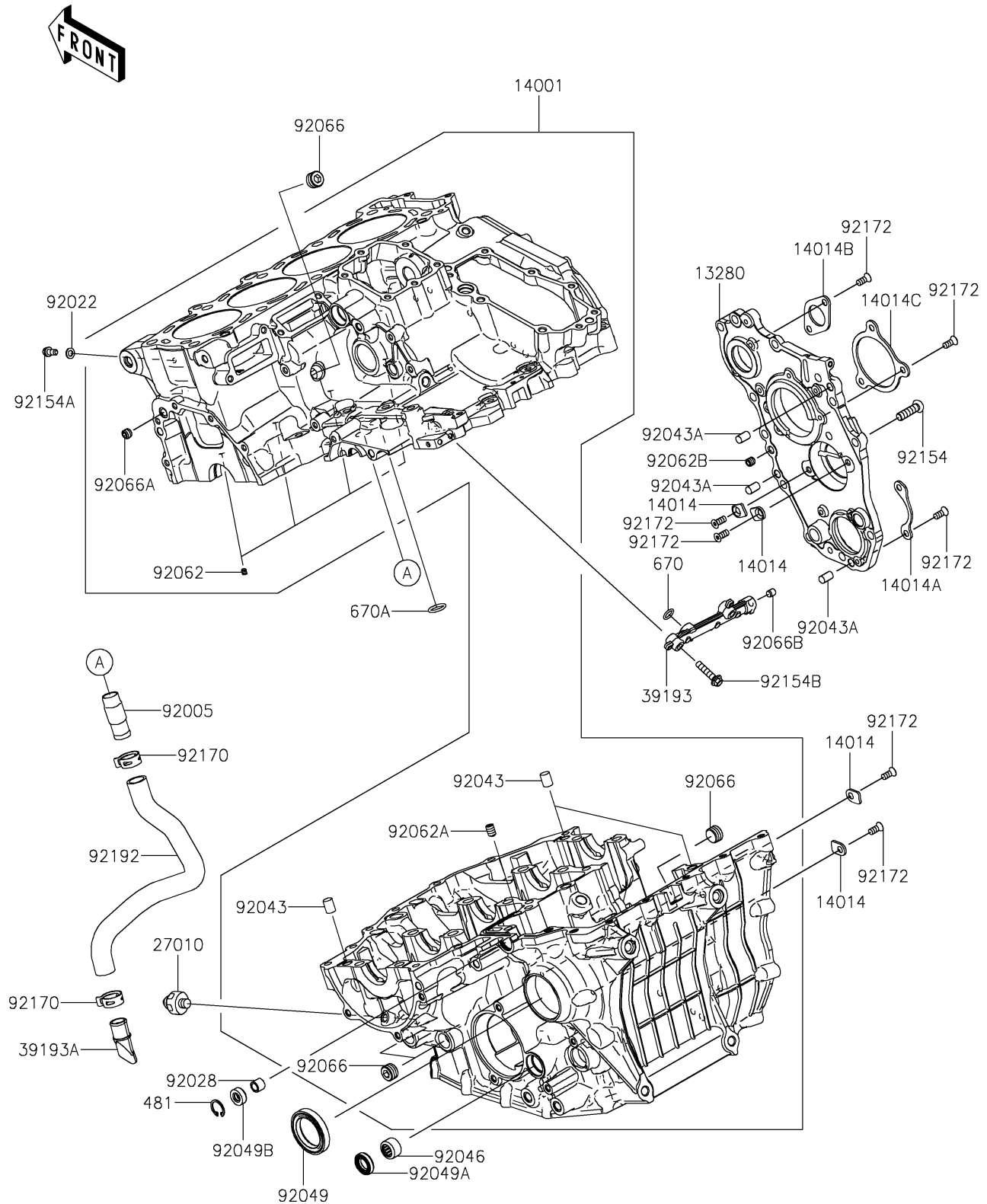


2019 NINJA H2™ SX SE+

PARTS DIAGRAM

Crankcase

E1411



2019 NINJA H2™ SX SE+

PARTS LIST

Crankcase

ITEM NAME

PART NUMBER

QUANTITY
