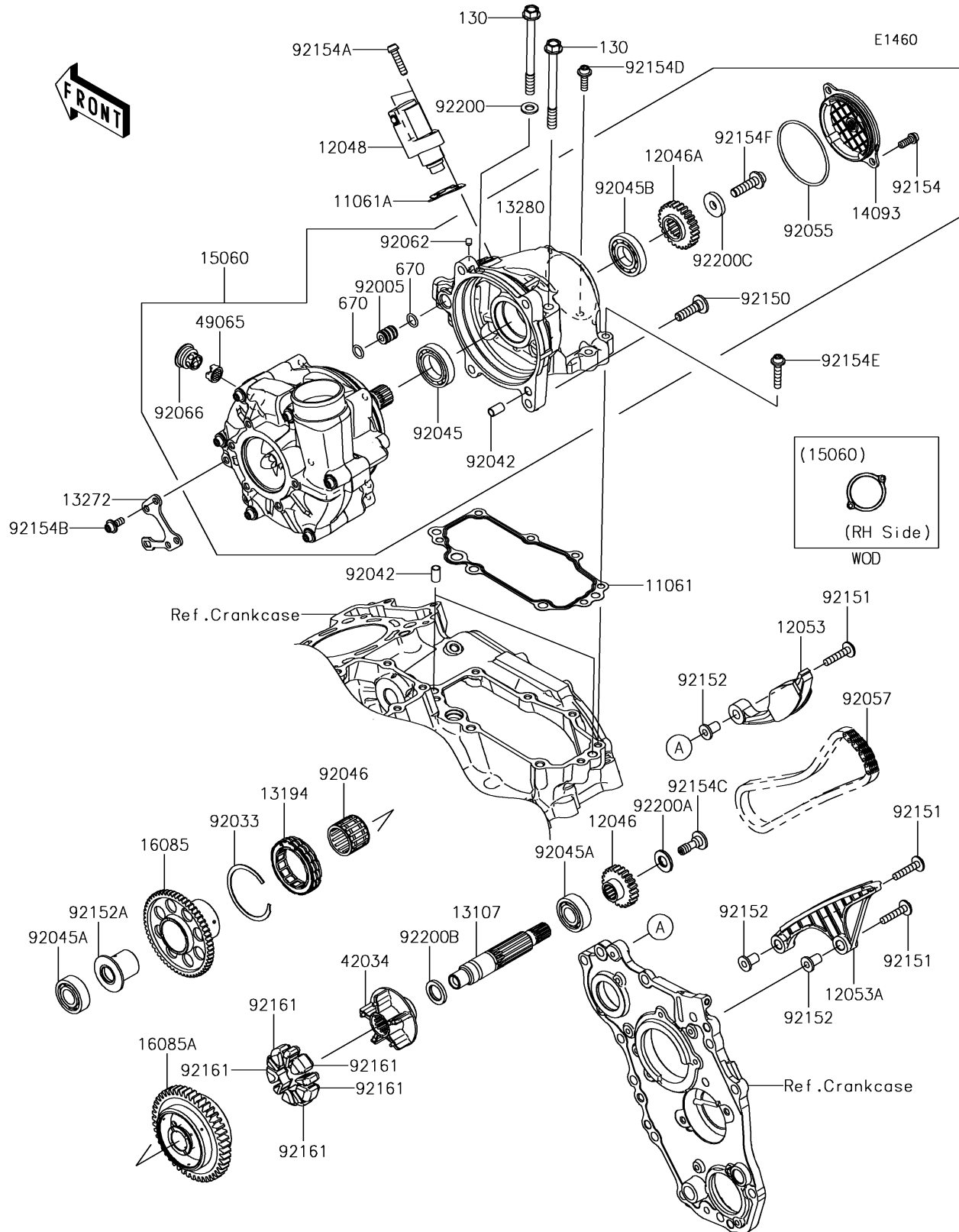


# 2018 NINJA H2™ CARBON

## PARTS DIAGRAM

### Super Charger



# 2018 NINJA H2™ CARBON

## PARTS LIST

Super Charger

**ITEM NAME**

**PART NUMBER**

**QUANTITY**

---