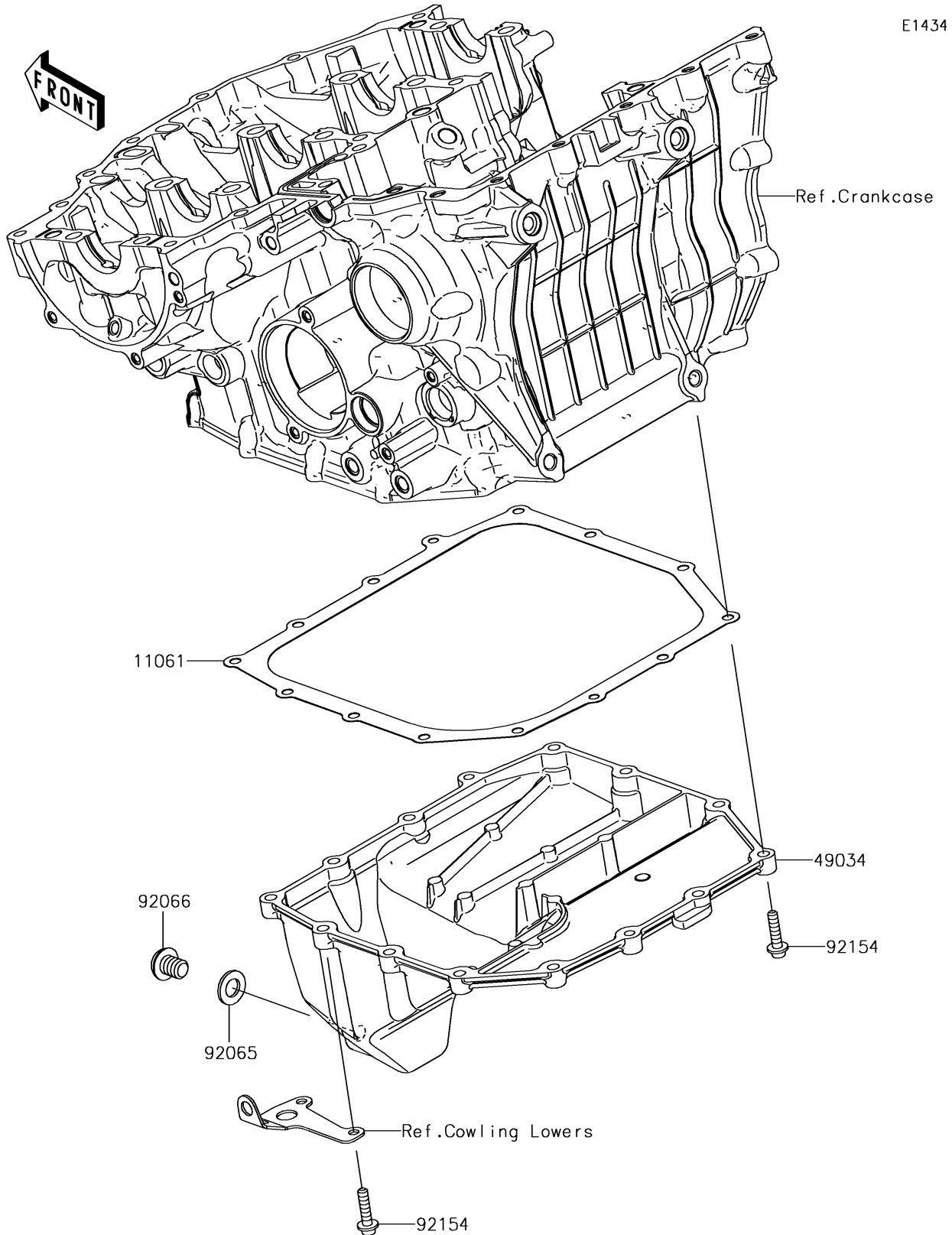


# 2017 Ninja H2

## PARTS DIAGRAM

### Oil Pan



# 2017 Ninja H2

## PARTS LIST

Oil Pan

**ITEM NAME**

**PART NUMBER**

**QUANTITY**

---