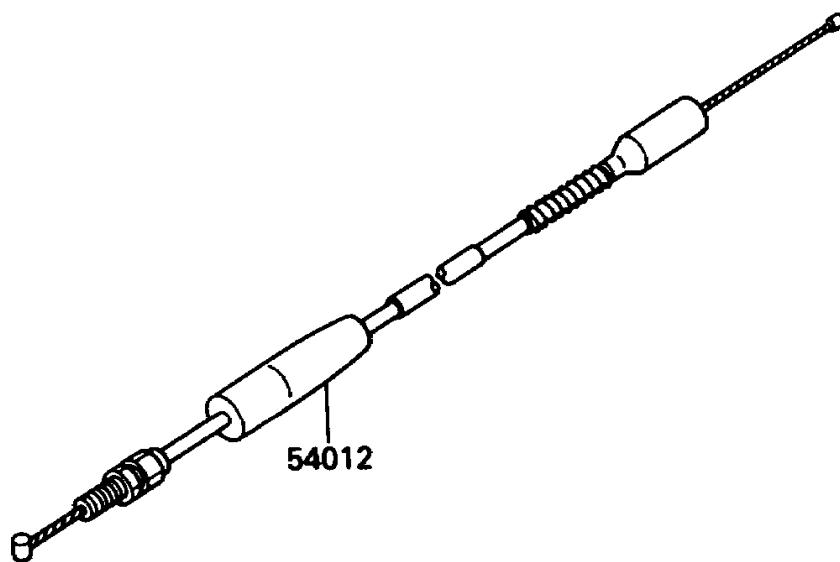
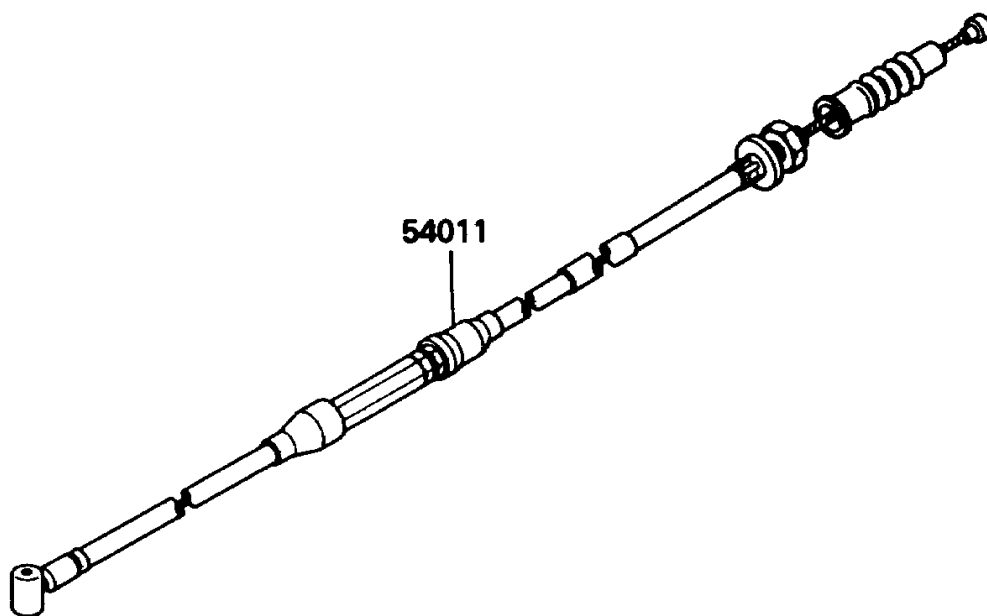


# 1990 Big Wheel

## PARTS DIAGRAM

### Cables

F2540-0298



# 1990 Big Wheel

## PARTS LIST

### Cables

**ITEM NAME**

**PART NUMBER**

**QUANTITY**

---