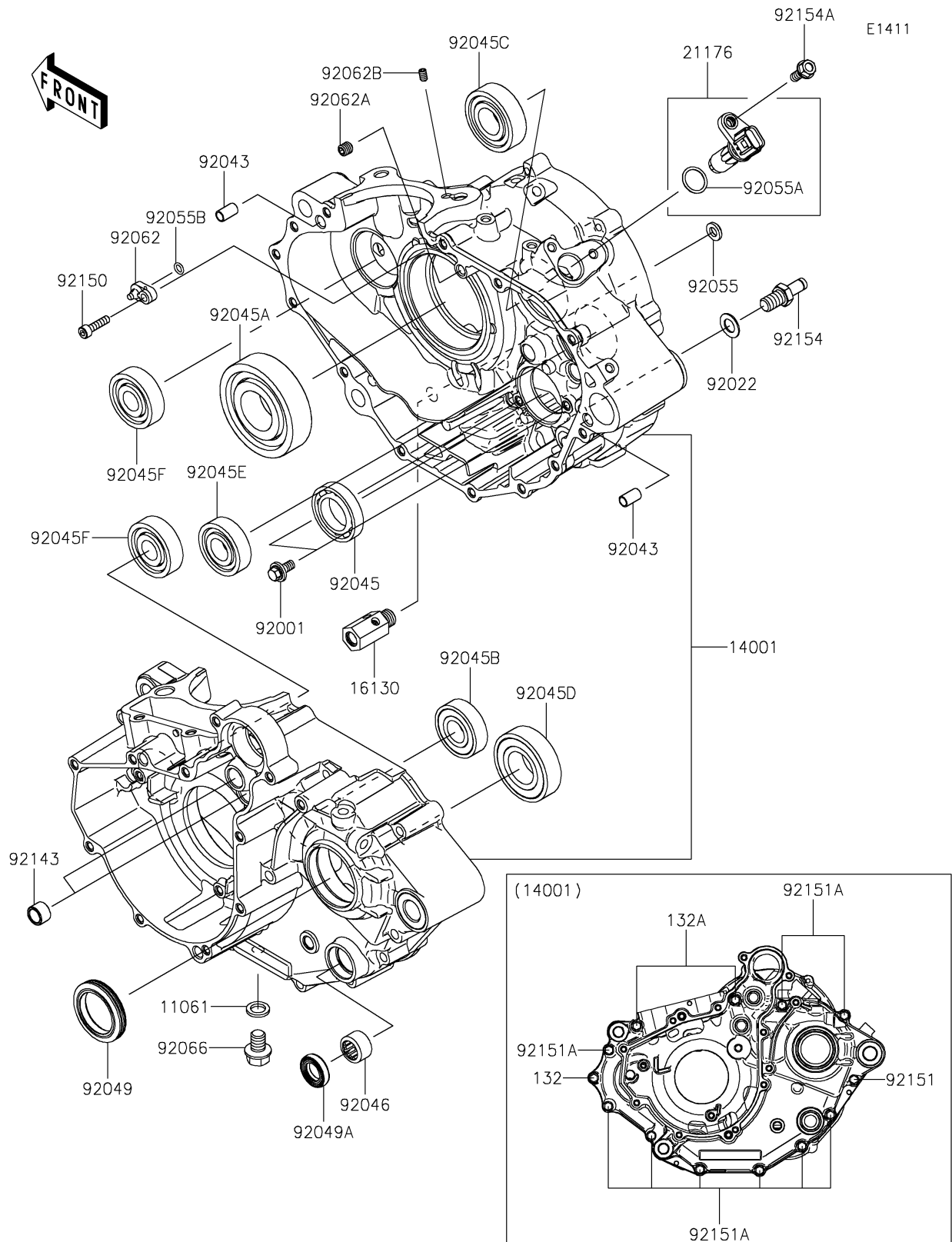


# 2022 KLX<sup>®</sup>230 SE

## PARTS DIAGRAM

### Crankcase



# 2022 KLX<sup>®</sup> 230 SE

## PARTS LIST

### Crankcase

**ITEM NAME**

**PART NUMBER**

**QUANTITY**

---