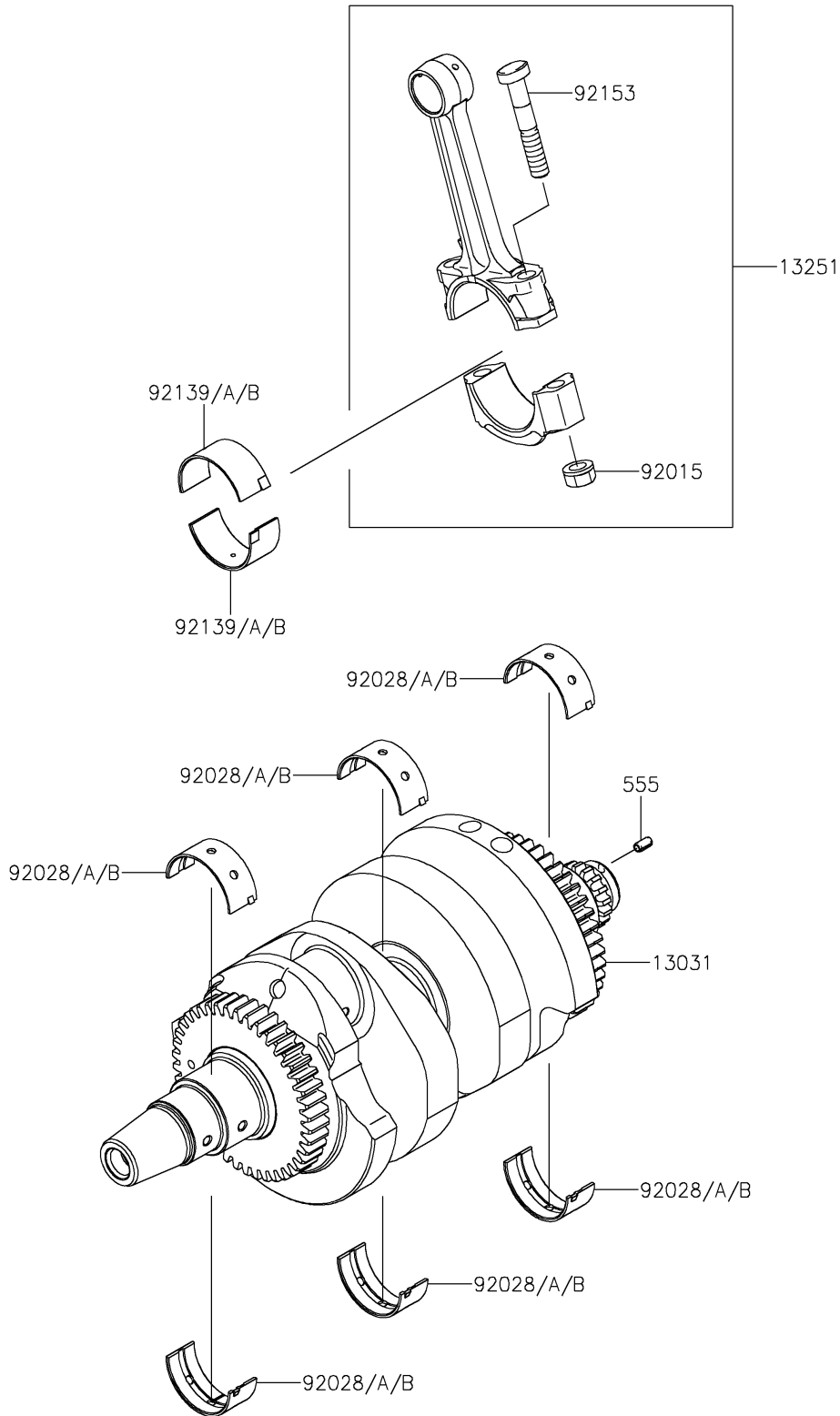


2022 Z650RS

PARTS DIAGRAM

Crankshaft

E1321



2022 Z650RS

PARTS LIST

Crankshaft

| ITEM NAME | PART NUMBER | QUANTITY |
|---|---------------|----------|
| CRANKSHAFT-COMP (Ref # 13031) | 13031-0149 | 1 |
| ROD-ASSY-CONNECTING,K (Ref # 13251) | 13251-0010-KK | 2 |
| NUT,FLANGED,8MM (Ref # 92015) | 92015-1311 | 4 |
| BUSHING,CRANKSHAFT,BLUE (Ref # 92028) | 92028-1903 | 6 |
| BUSHING,CRANKSHAFT,BLACK (Ref # 92028A) | 92028-1904 | AR |
| BUSHING,CRANKSHAFT,BROWN (Ref # 92028B) | 92028-1905 | AR |
| BUSHING,CON-ROD,BLUE (Ref # 92139) | 92139-0114 | 4 |
| BUSHING,CON-ROD,BLACK (Ref # 92139A) | 92139-0115 | AR |
| BUSHING,CON-ROD,BROWN (Ref # 92139B) | 92139-0116 | AR |
| BOLT,CON-ROD,8X49 (Ref # 92153) | 92153-0957 | 4 |
| PIN-SPRING,4X8 (Ref # 555) | 555A0408 | 1 |