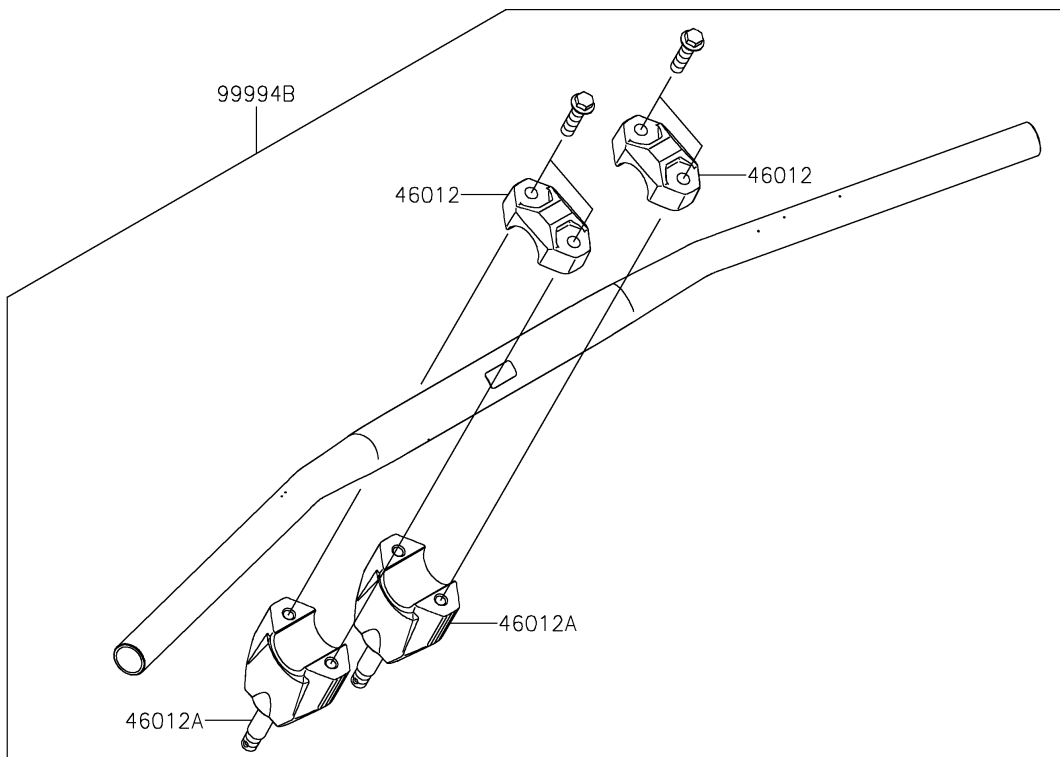
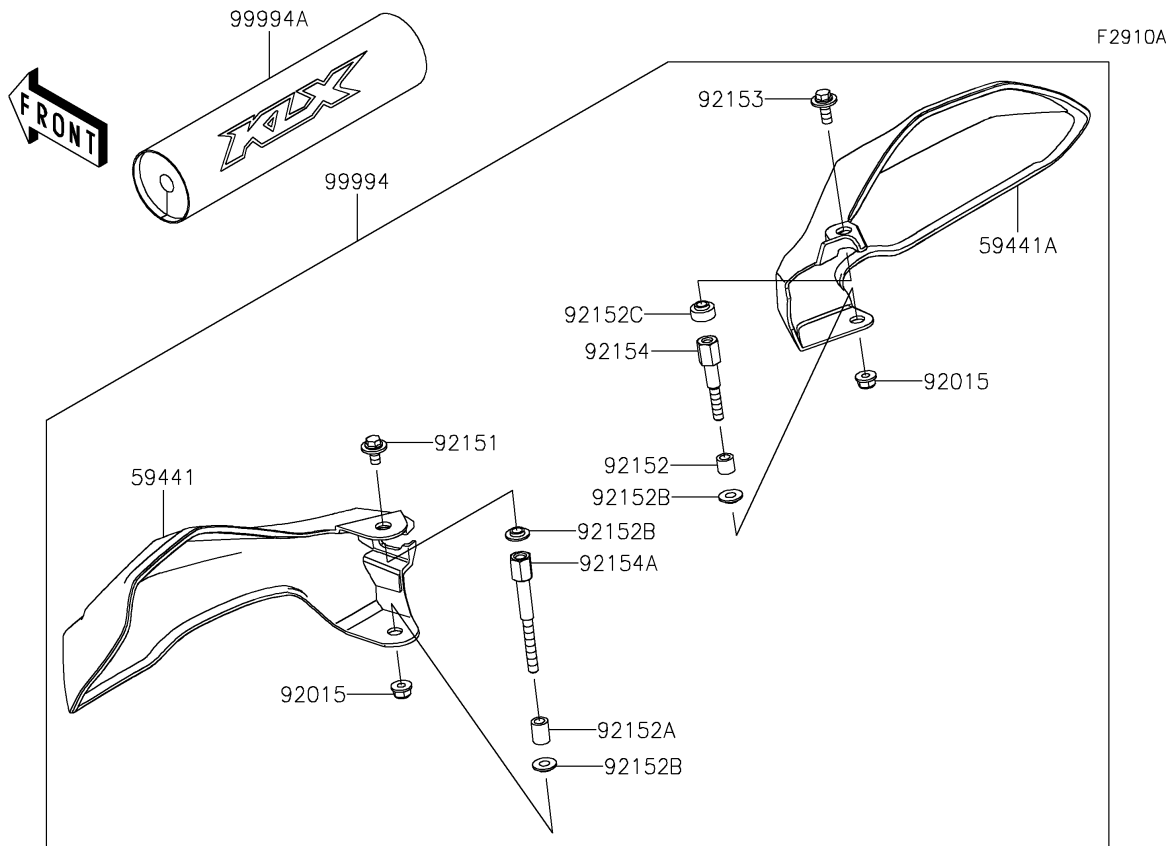


# 2022 KLX<sup>®</sup> 230R S

## PARTS DIAGRAM

### Accessory(Handle)



# 2022 KLX<sup>®</sup> 230R S

## PARTS LIST

Accessory(Handle)

**ITEM NAME**

**PART NUMBER**

**QUANTITY**

---