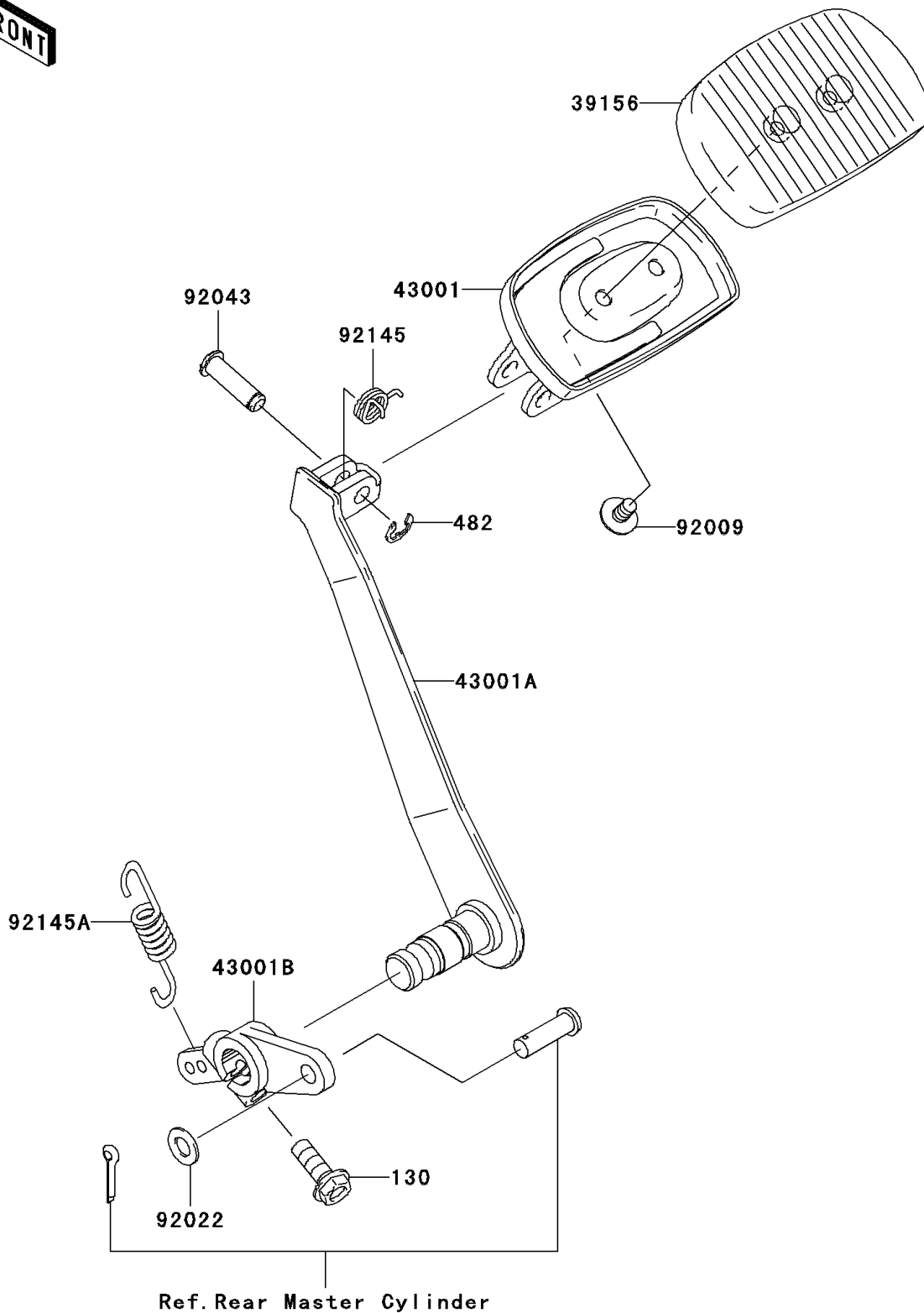


2008 Vulcan® 1600 Nomad™

PARTS DIAGRAM

Brake Pedal/Torque Link

F2260



2008 Vulcan® 1600 Nomad™

PARTS LIST

Brake Pedal/Torque Link

ITEM NAME	PART NUMBER	QUANTITY
-----------	-------------	----------
