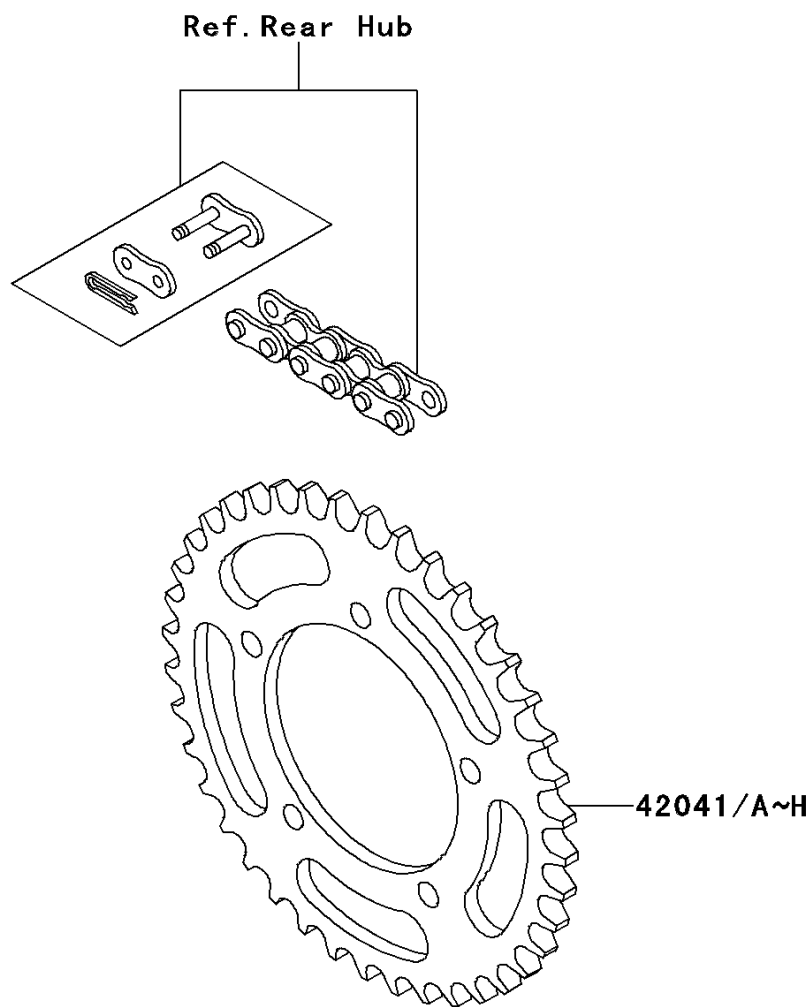


# 1991 KX60

## PARTS DIAGRAM

### Optional Parts

F2890



# 1991 KX60

## PARTS LIST Optional Parts

**ITEM NAME**

**PART NUMBER**

**QUANTITY**

---