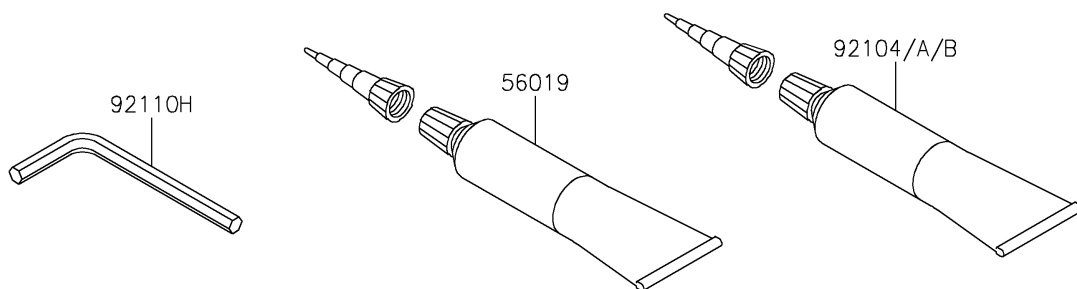
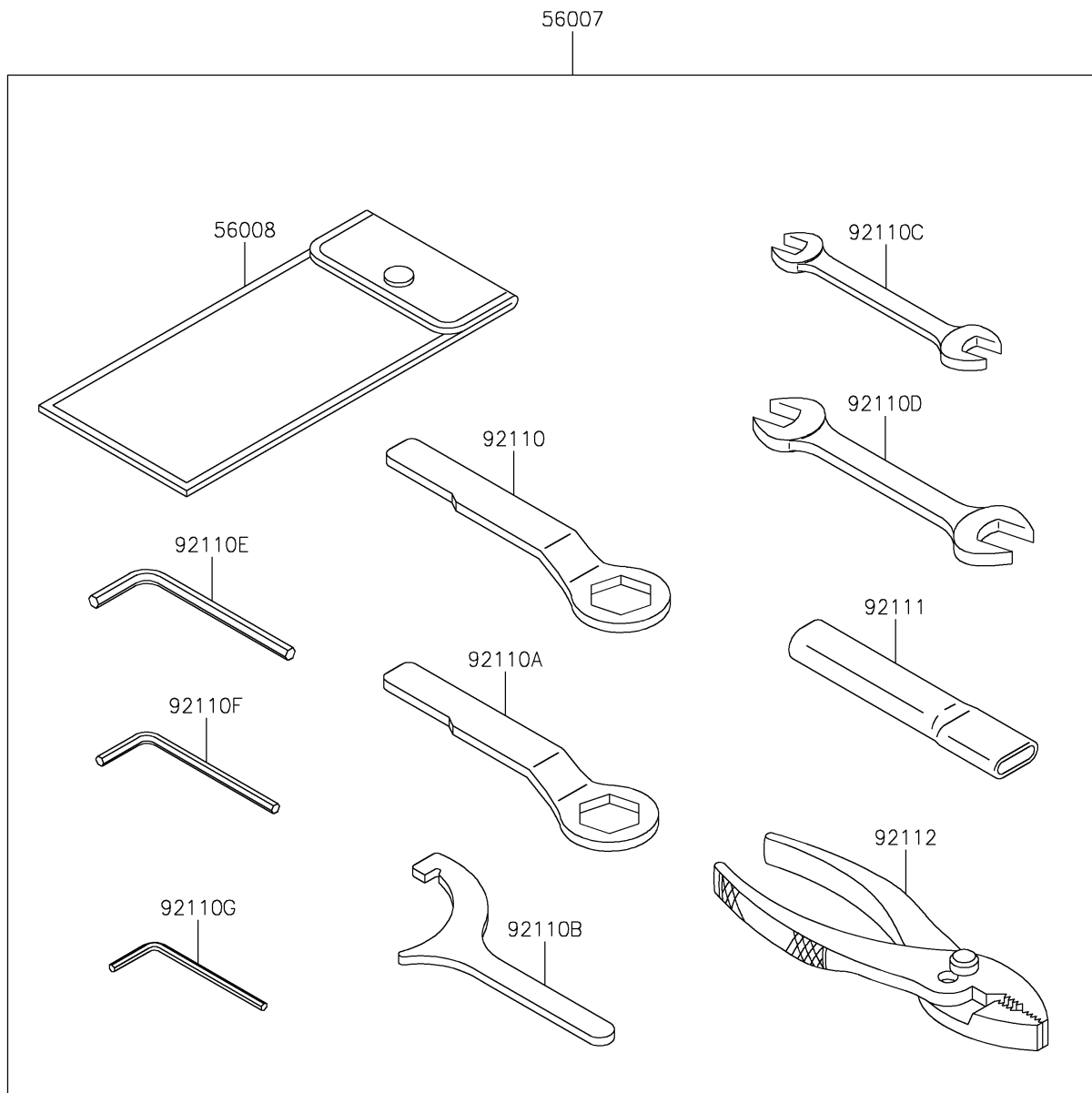


2022 Vulcan® S ABS CAFE

PARTS DIAGRAM

Owner's Tools

F2810



2022 Vulcan® S ABS CAFE

PARTS LIST

Owner's Tools



ITEM NAME

PART NUMBER

QUANTITY
