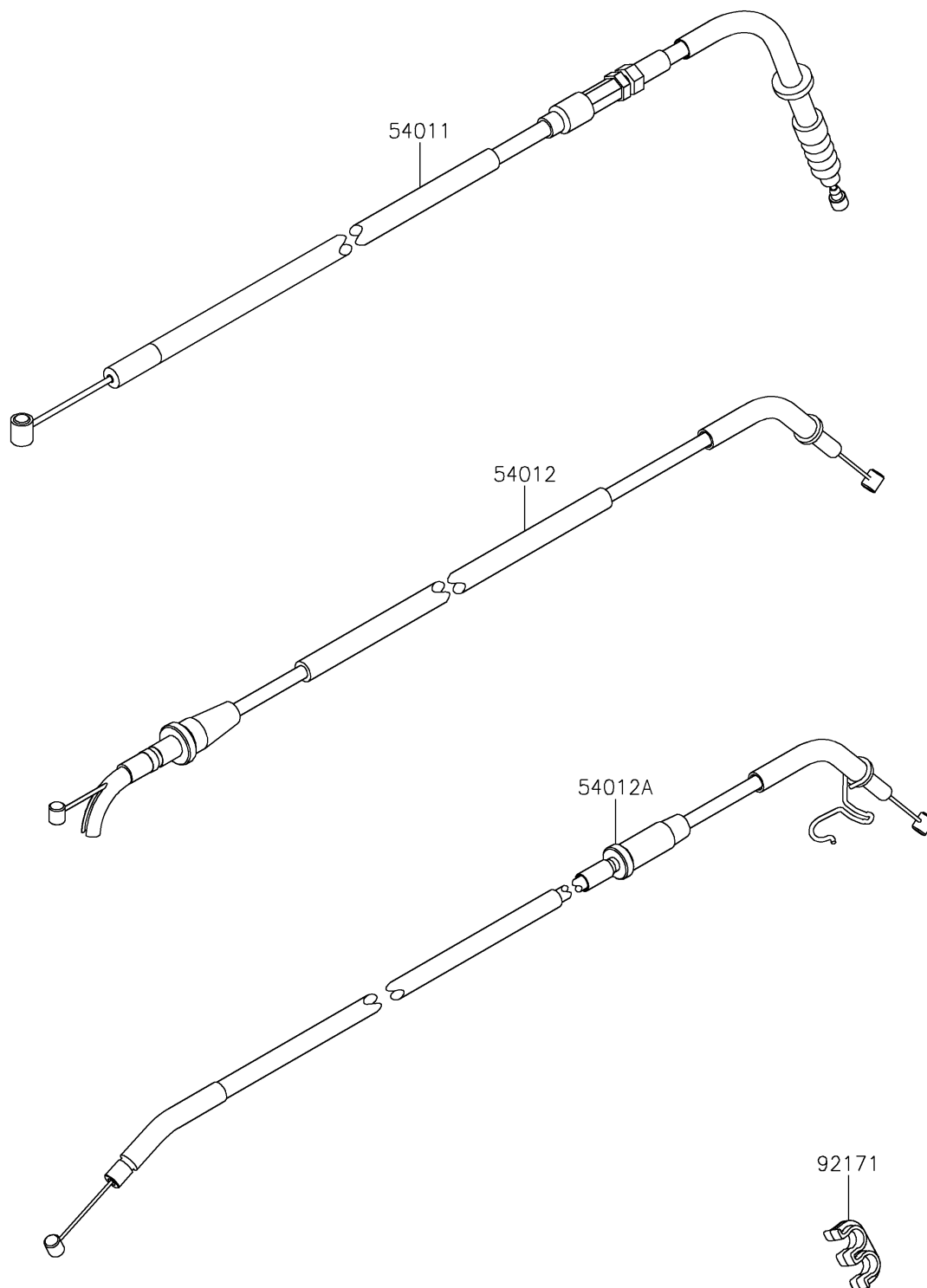


2022 Vulcan[®] S ABS CAFE

PARTS DIAGRAM

Cables

F2540



2022 Vulcan[®] S ABS CAFE

PARTS LIST

Cables

ITEM NAME

PART NUMBER

QUANTITY
