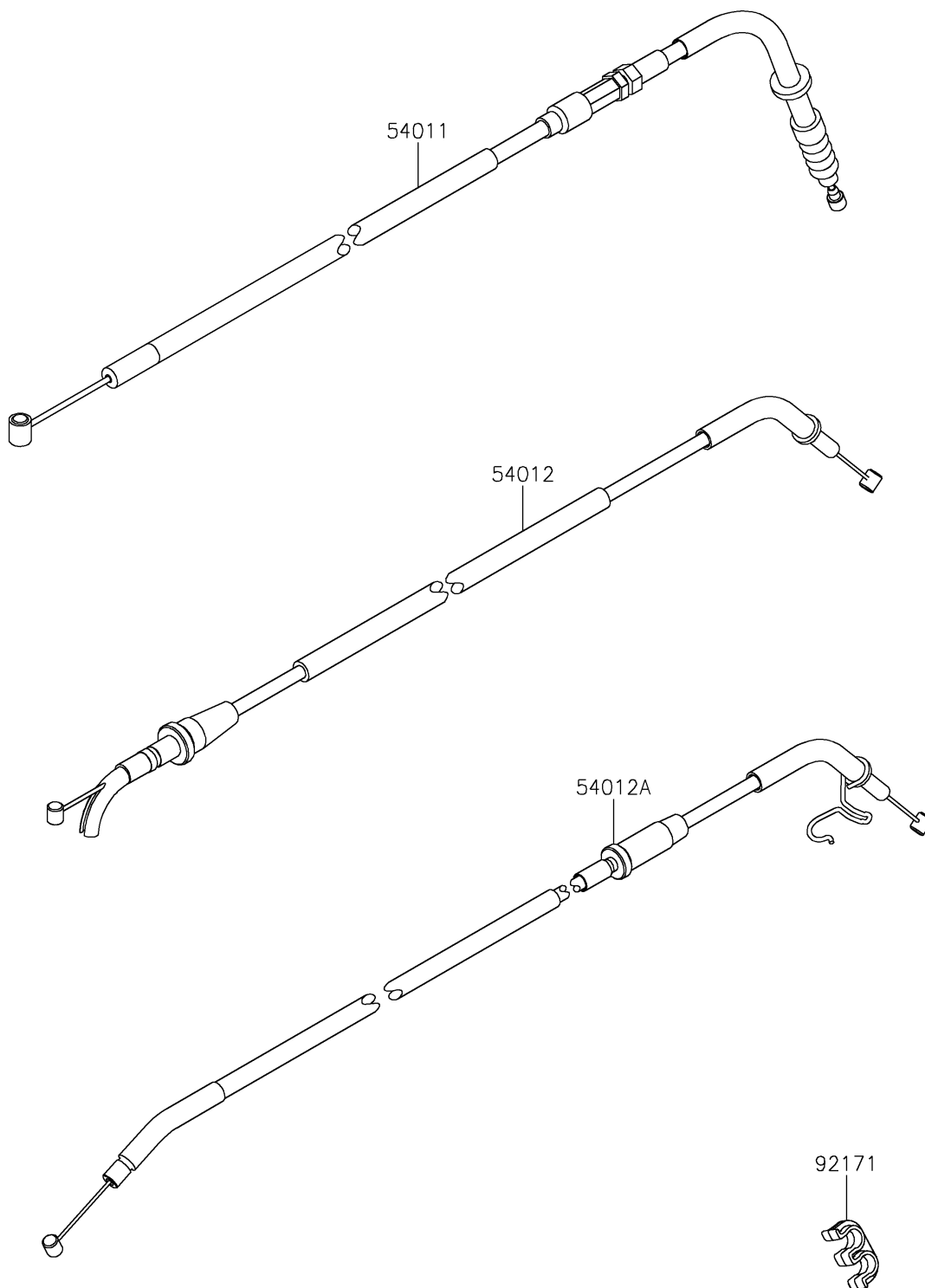


# 2021 VULCAN<sup>®</sup> S ABS CAFE

## PARTS DIAGRAM

### Cables

F2540



# 2021 VULCAN® S ABS CAFE

## PARTS LIST

### Cables

**ITEM NAME**

**PART NUMBER**

**QUANTITY**

---