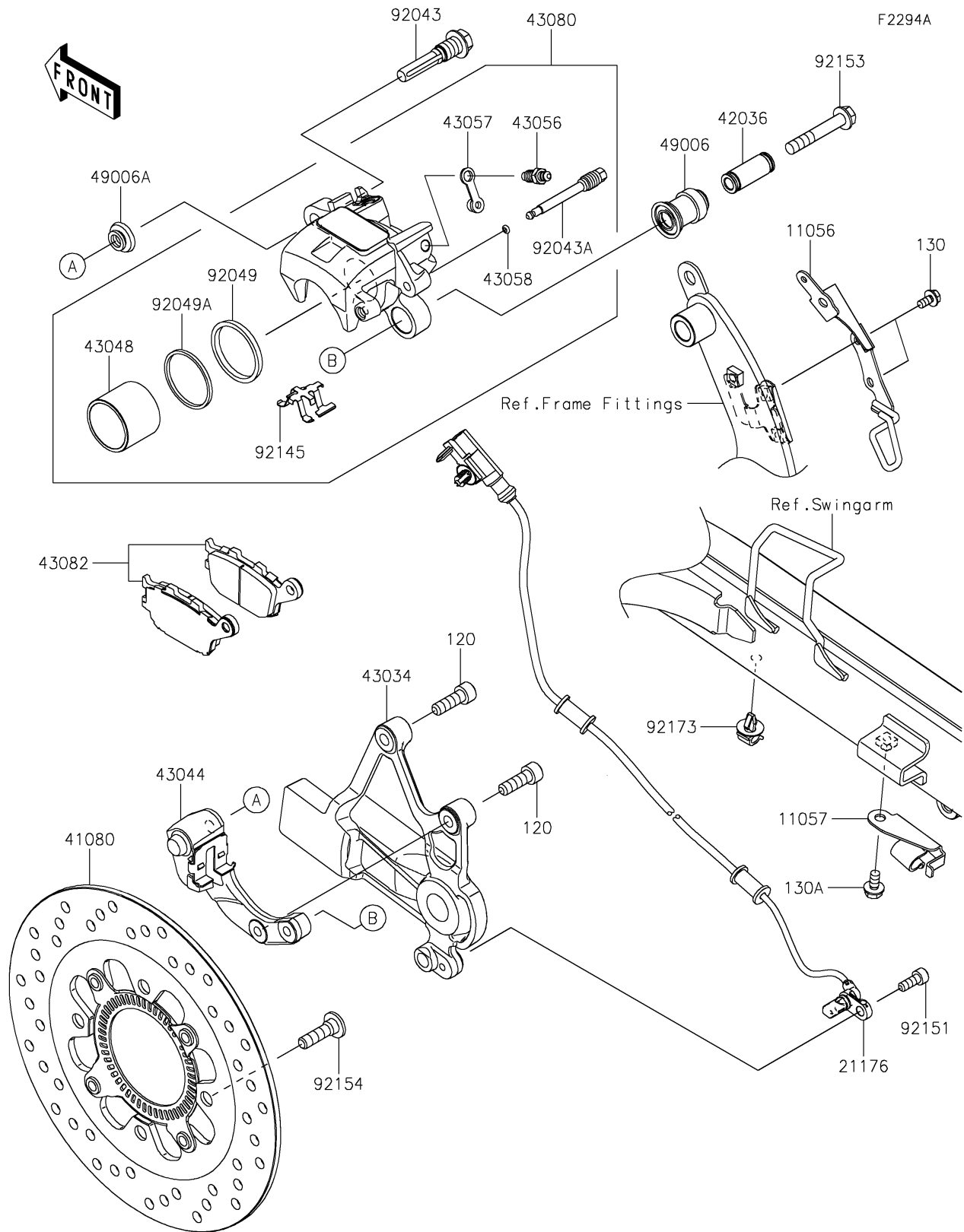


# 2021 VULCAN® S ABS CAFE

## PARTS DIAGRAM

### Rear Brake(ENFNN/ENFNL)



# 2021 VULCAN<sup>®</sup> S ABS CAFE

## PARTS LIST

Rear Brake(ENFNN/ENFNL)

**ITEM NAME**

**PART NUMBER**

**QUANTITY**

---