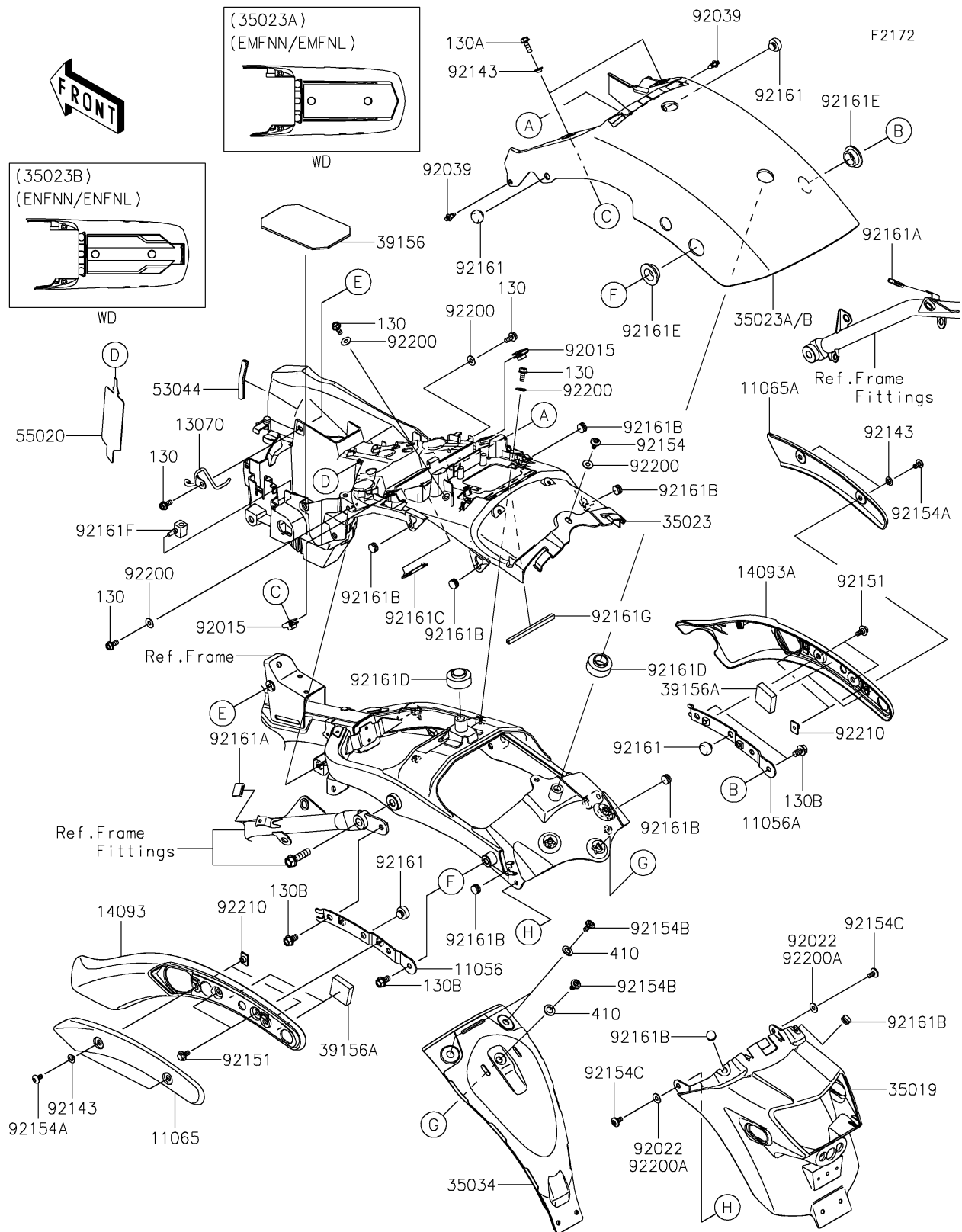


2022 Vulcan® S ABS CAFE

PARTS DIAGRAM

Rear Fender(s)



2022 Vulcan® S ABS CAFE

PARTS LIST

Rear Fender(s)

| ITEM NAME | PART NUMBER | QUANTITY |
|-----------|-------------|----------|
|-----------|-------------|----------|
