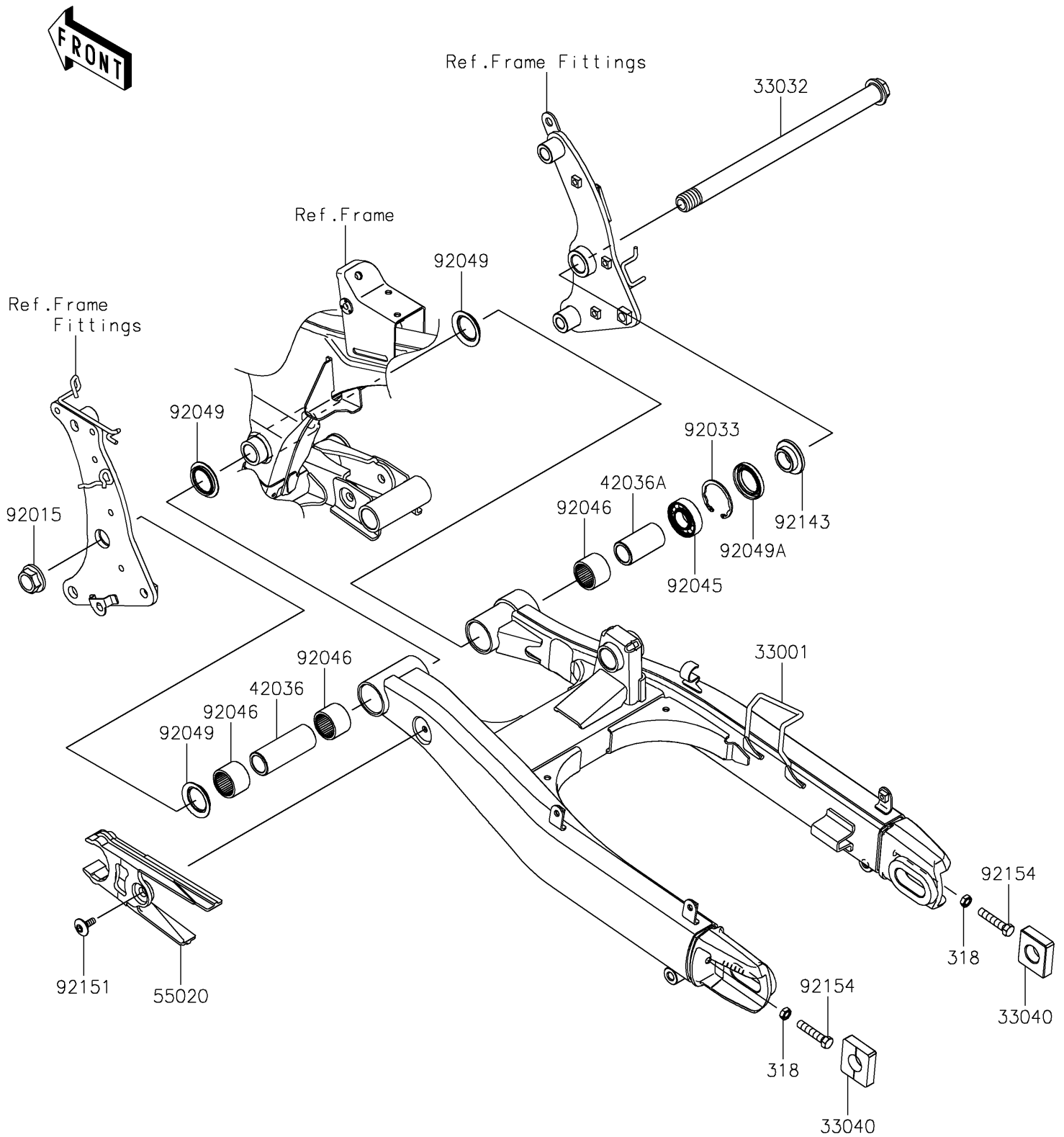


# 2022 Vulcan<sup>®</sup> S ABS CAFE

## PARTS DIAGRAM

### Swingarm

F2141



# 2022 Vulcan® S ABS CAFE

## PARTS LIST

### Swingarm

**ITEM NAME**

**PART NUMBER**

**QUANTITY**

---