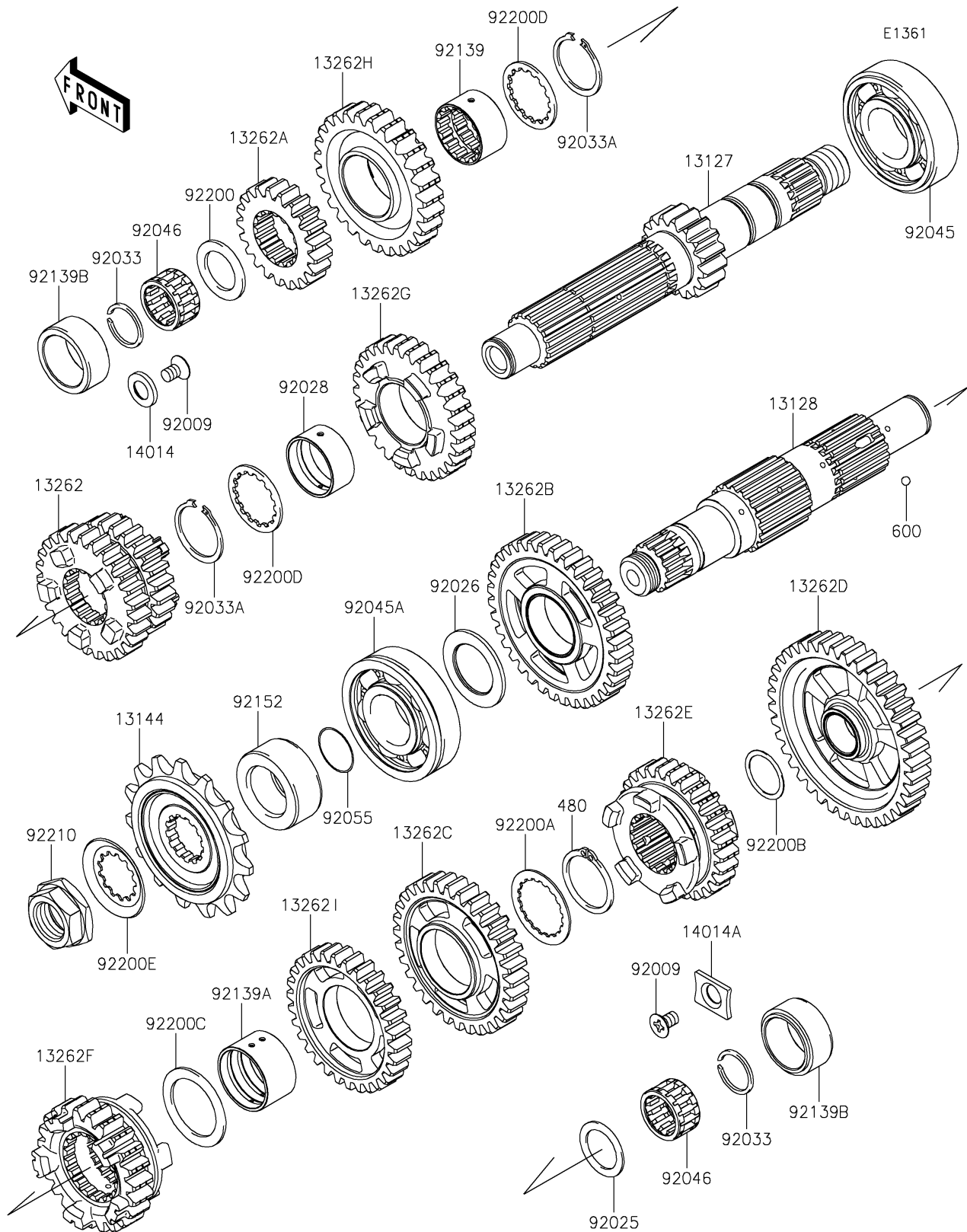


# 2021 VULCAN® S ABS CAFE

## PARTS DIAGRAM

### Transmission



# 2021 VULCAN® S ABS CAFE

## PARTS LIST

### Transmission



**ITEM NAME**

**PART NUMBER**

**QUANTITY**

---