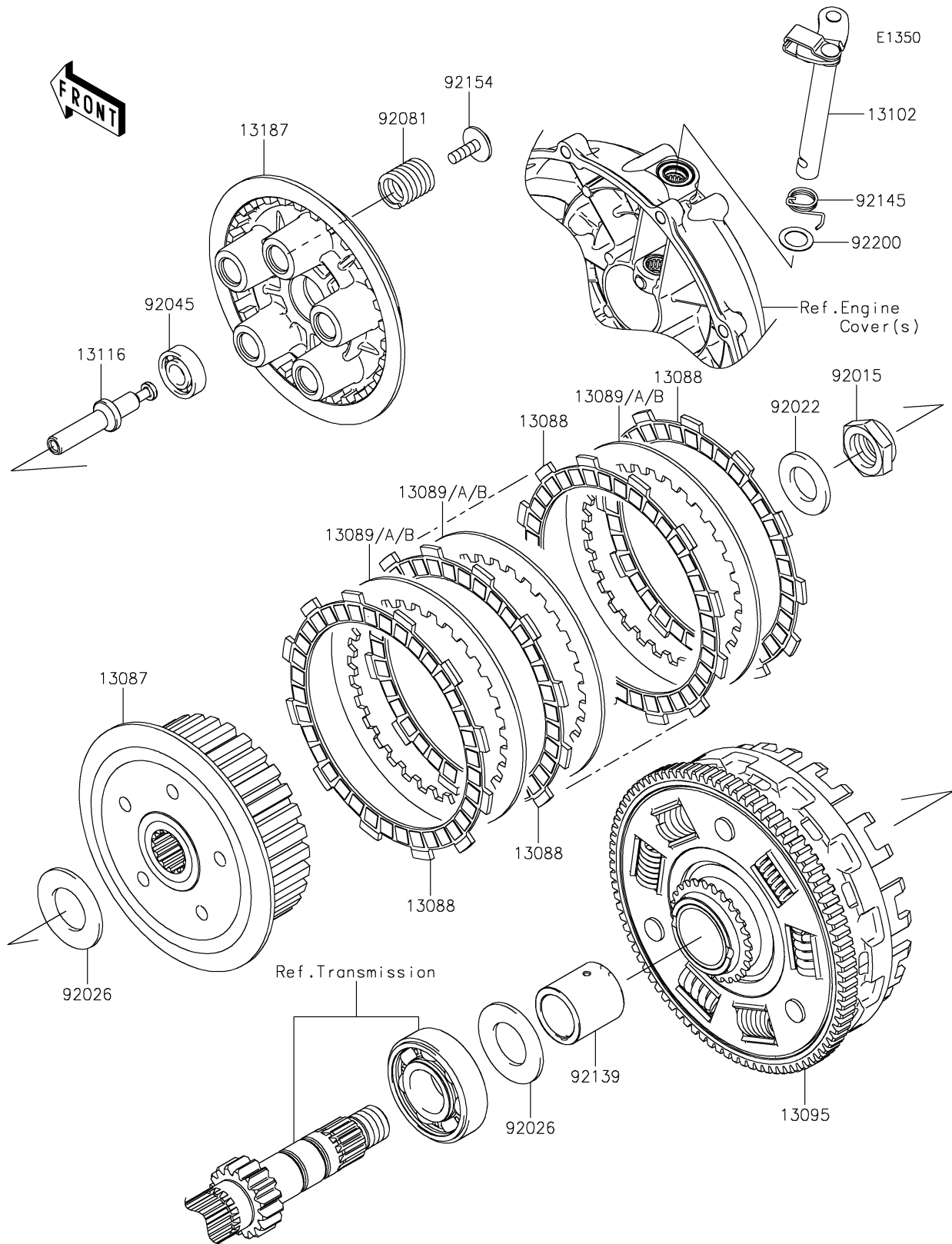


# 2022 VULCAN<sup>®</sup> S CAFE

## PARTS DIAGRAM

### Clutch



# 2022 VULCAN<sup>®</sup> S CAFE

## PARTS LIST

### Clutch

**ITEM NAME**

**PART NUMBER**

**QUANTITY**

---