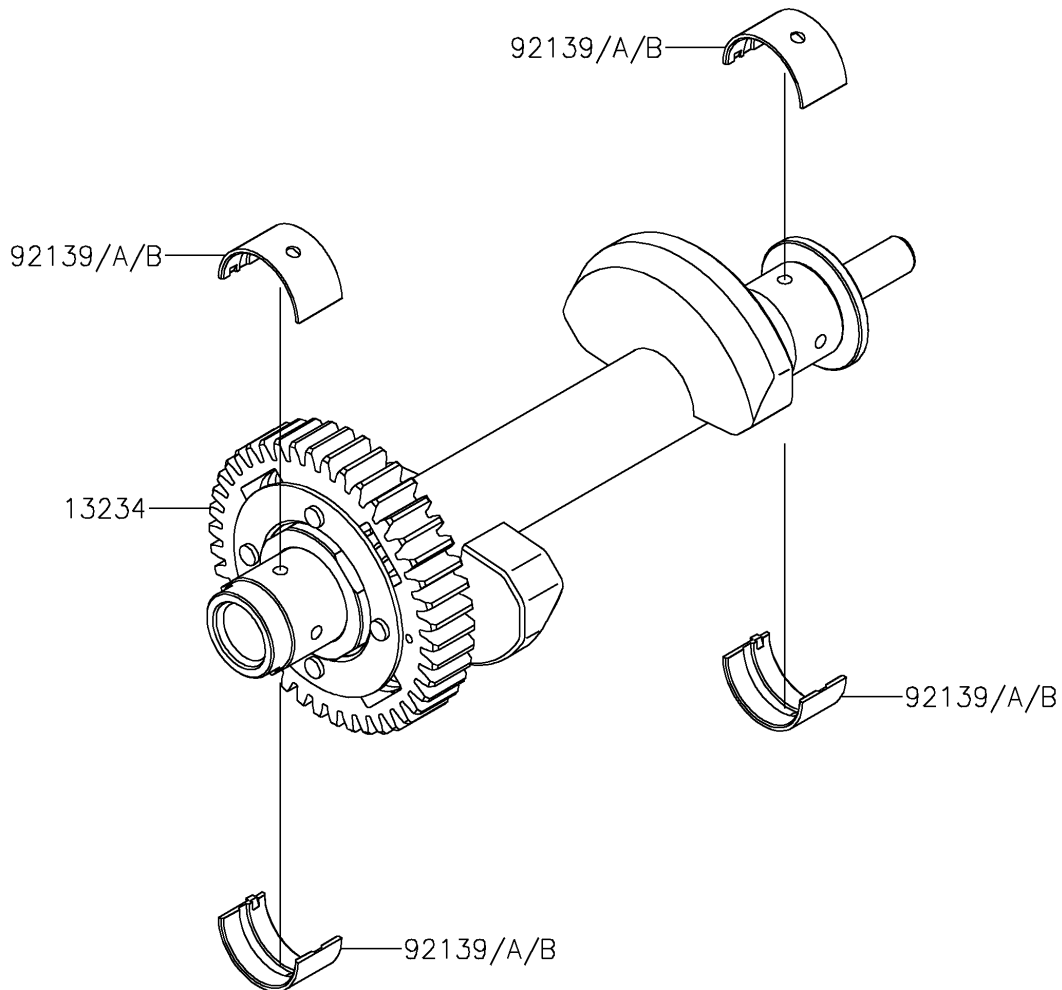


# 2022 Vulcan<sup>®</sup> S ABS CAFE

## PARTS DIAGRAM

### Balancer

E1323



# 2022 Vulcan<sup>®</sup> S ABS CAFE

## PARTS LIST

### Balancer

**ITEM NAME**

**PART NUMBER**

**QUANTITY**

---