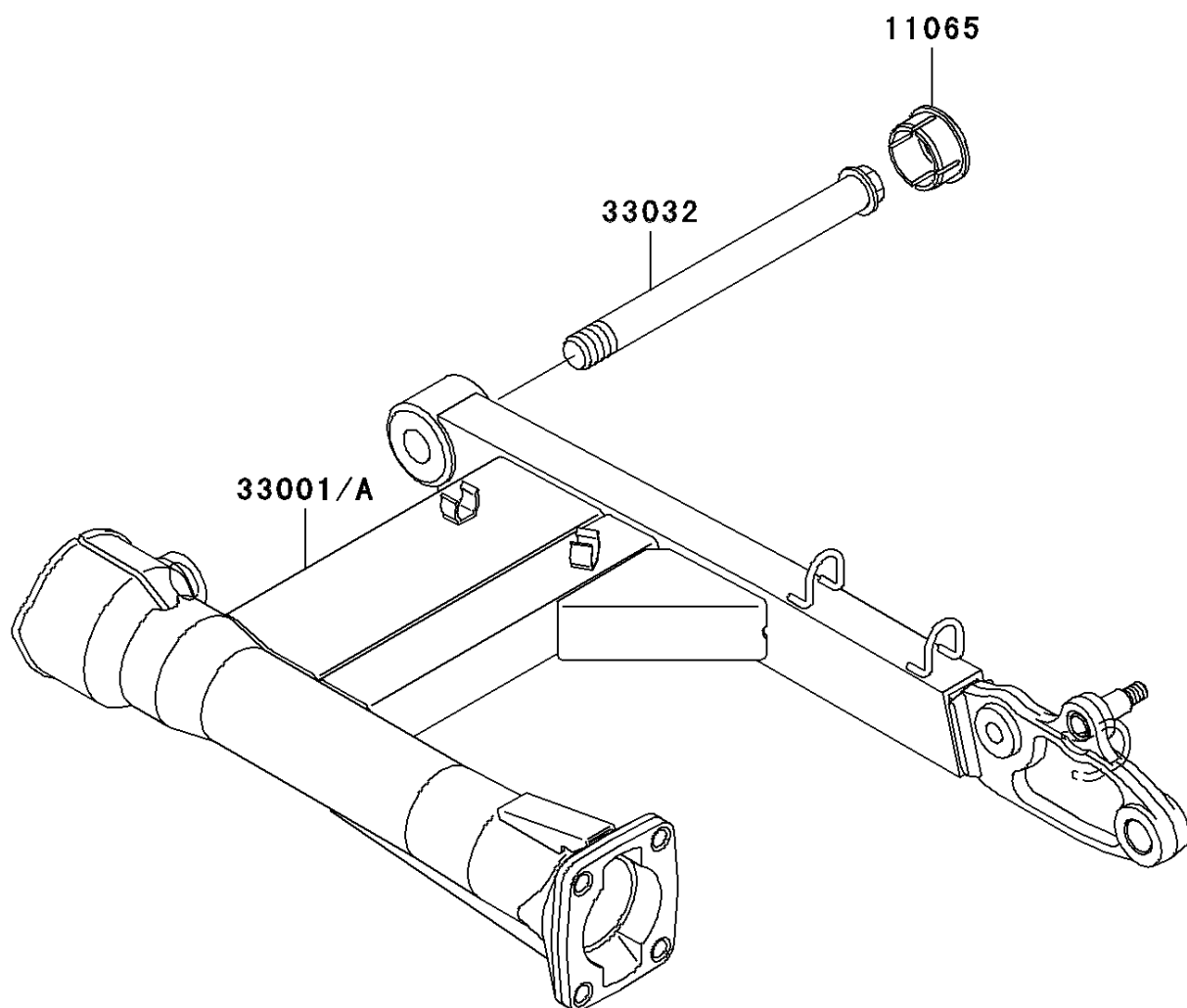


# 2008 Vulcan® 1600 Nomad™

## PARTS DIAGRAM

### Swingarm

F2141



# 2008 Vulcan® 1600 Nomad™

## PARTS LIST

### Swingarm

ITEM NAME	PART NUMBER	QUANTITY
CAP,SWING ARM (Ref # 11065)	11065-1259	1
ARM-COMP-SWING (Ref # 33001A)	33001-0143	1
SHAFT-SWING ARM (Ref # 33032)	33032-1181	1