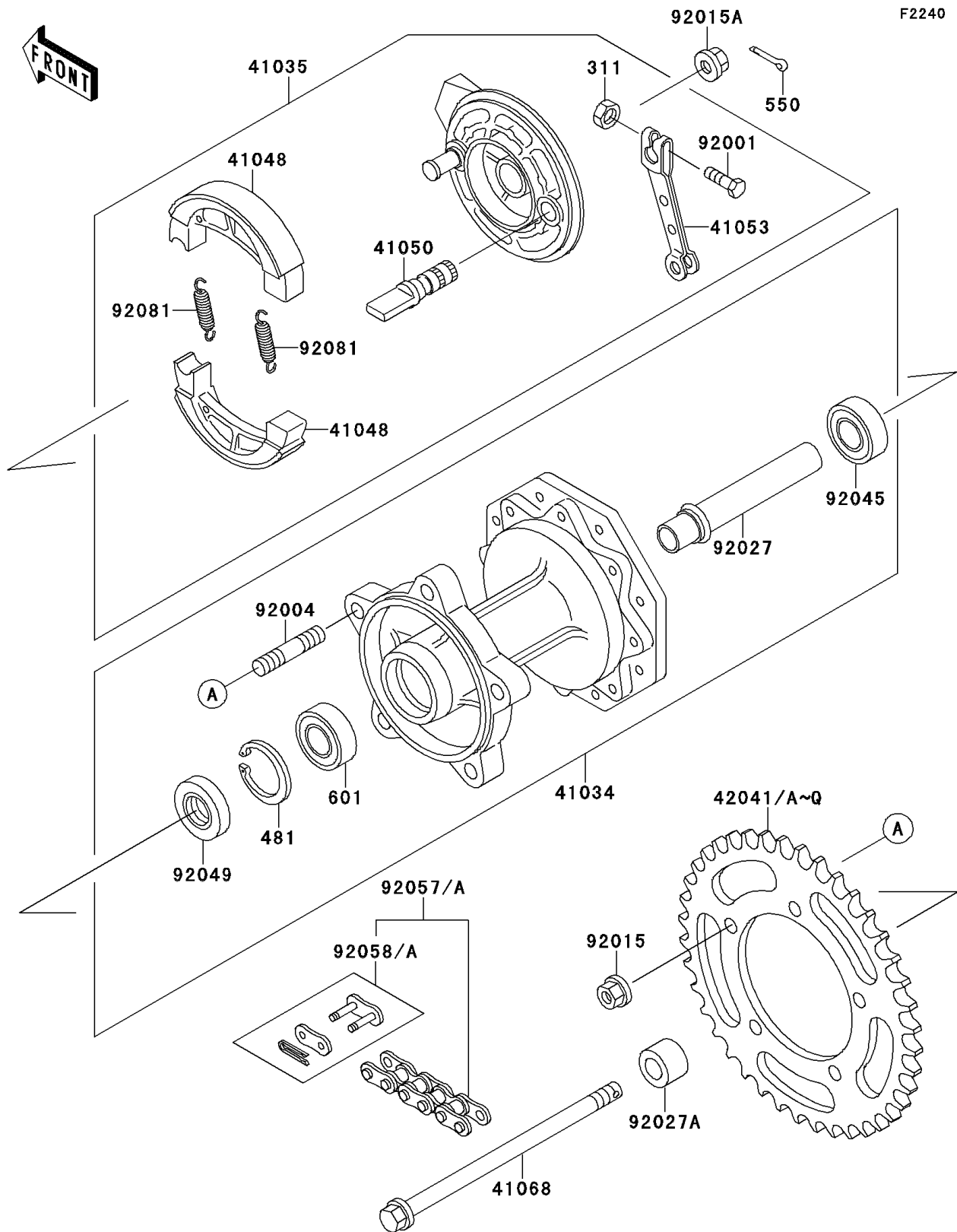


# 1996 KX60

## PARTS DIAGRAM

### Rear Hub



# 1996 KX60

## PARTS LIST

### Rear Hub

ITEM NAME	PART NUMBER	QUANTITY
DRUM-ASSY,REAR BRAKE (Ref # 41034)	41034-1169	1
PANEL-ASSY-BRAKE,RR (Ref # 41035)	41035-1286	1
SHOE-BRAKE (Ref # 41048)	41048-1083	2
CAM-BRAKE (Ref # 41050)	41050-1031	1
LEVER-BRAKE CAM,RR (Ref # 41053)	41053-1058	1
AXLE,RR (Ref # 41068)	41068-1306	1
SPROCKET-HUB,44T (Ref # 42041)	42041-1114	1
SPROCKET-HUB,43T (Ref # 42041A)	42041-1116	1
SPROCKET-HUB,45T (Ref # 42041B)	42041-1117	1
SPROCKET-HUB,49T (Ref # 42041C)	42041-1121	1
SPROCKET-HUB,48T (Ref # 42041D)	42041-1122	1
SPROCKET-HUB,50T (Ref # 42041E)	42041-1123	1
SPROCKET-HUB,47T (Ref # 42041F)	42041-1129	1
SPROCKET-HUB,46T (Ref # 42041G)	42041-1178	1
SPROCKET-HUB,51T (Ref # 42041P)	42041-1181	1
BOLT,5X25 (Ref # 92001)	92001-1695	1
NUT-HEX (Ref # 311)	311G0500	1
CIRCLIP-TYPE-C,37MM (Ref # 481)	481J3700	1
PIN-COTTER,2.5X20 (Ref # 550)	550D2520	1
BEARING-BALL,#6201UUC3 (Ref # 601)	601B6301UU	1
STUD,8X16 (Ref # 92004)	92004-1182	5
NUT,8MM (Ref # 92015)	92015-1143	5
NUT,FLANGED,12MM (Ref # 92015A)	92015-1433	1
COLLAR,REAR DRUM,L=115 (Ref # 92027)	92027-1471	1
COLLAR,REAR AXLE,L=14.5 (Ref # 92027A)	92027-1473	1
BEARING-BALL,TMB201LLUC3/2A (Ref # 92045)	92045-1062	1
SEAL-OIL,DD20377 (Ref # 92049)	92049-1096	1
CHAIN,DID420M,104L (Ref # 92057)	92057-1155	1
JOINT-CHAIN (Ref # 92058)	92058-1053	1

# 1996 KX60

## PARTS LIST

### Rear Hub

ITEM NAME	PART NUMBER	QUANTITY
SPRING,BRAKE SHOE (Ref # 92081)	92081-1766	2