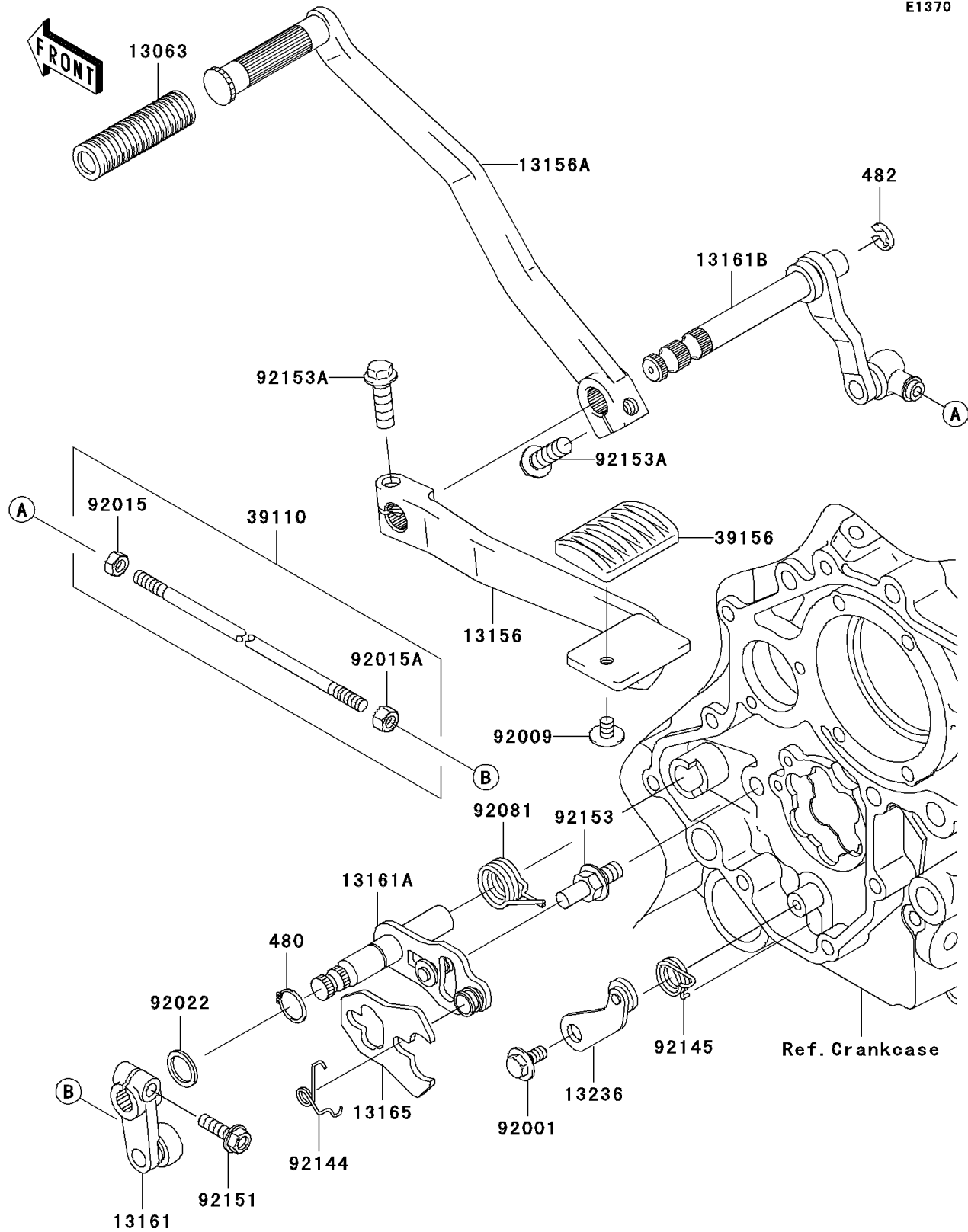


2008 Vulcan® 1600 Nomad™

PARTS DIAGRAM

Gear Change Mechanism

E1370



2008 Vulcan® 1600 Nomad™

PARTS LIST

Gear Change Mechanism

ITEM NAME

PART NUMBER

QUANTITY
