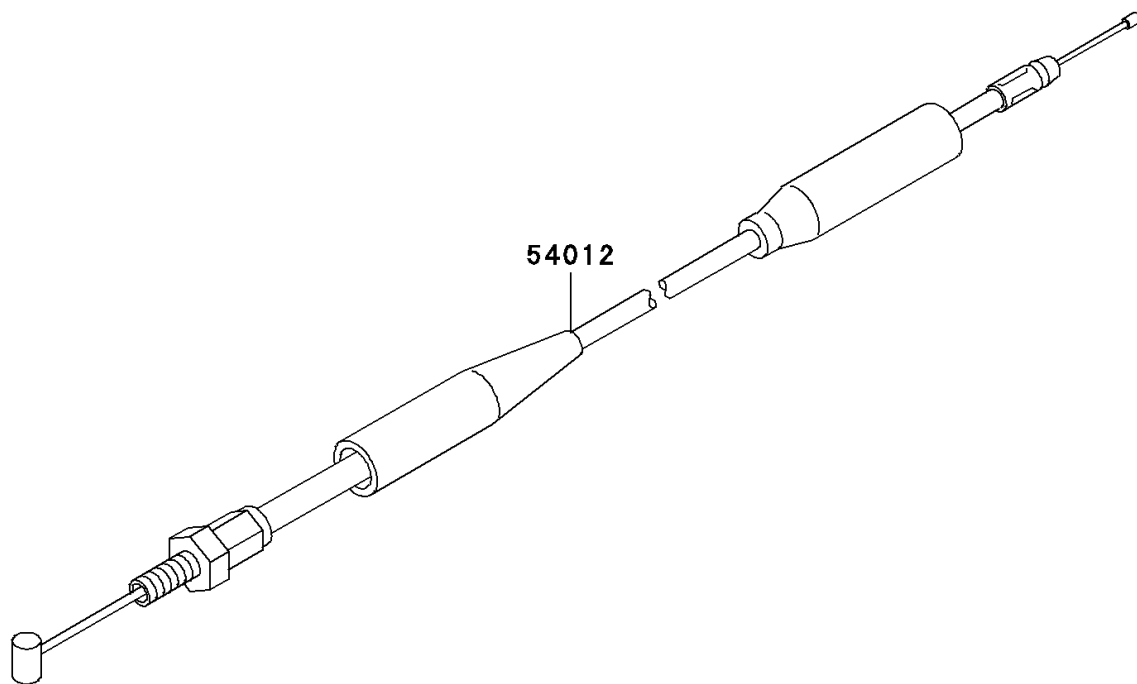
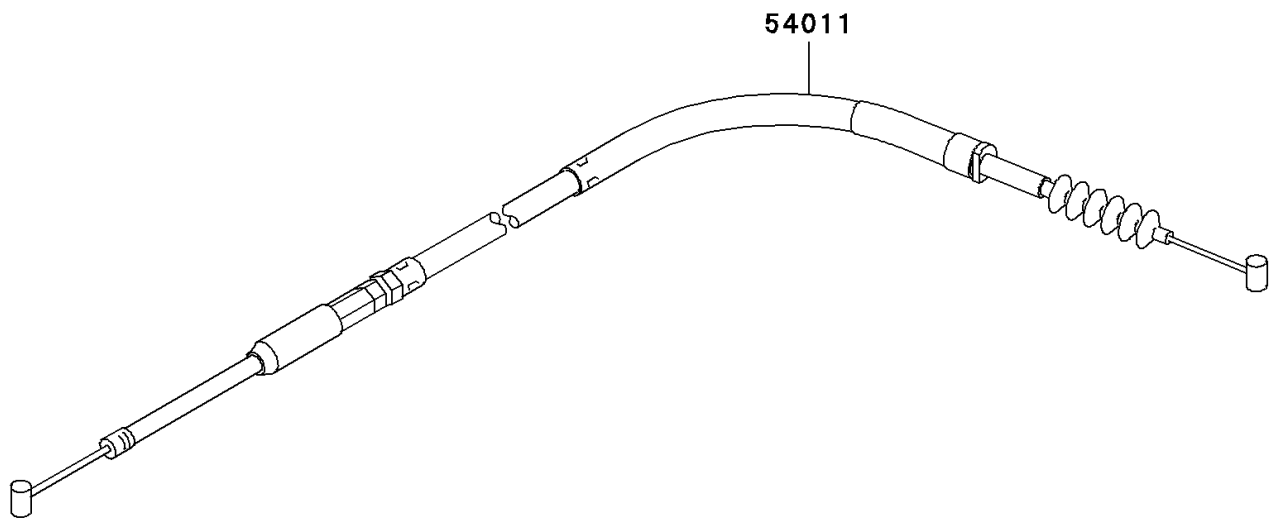


1999 KX500

PARTS DIAGRAM

Cables

F2540



1999 KX500

PARTS LIST

Cables

ITEM NAME

PART NUMBER

QUANTITY
