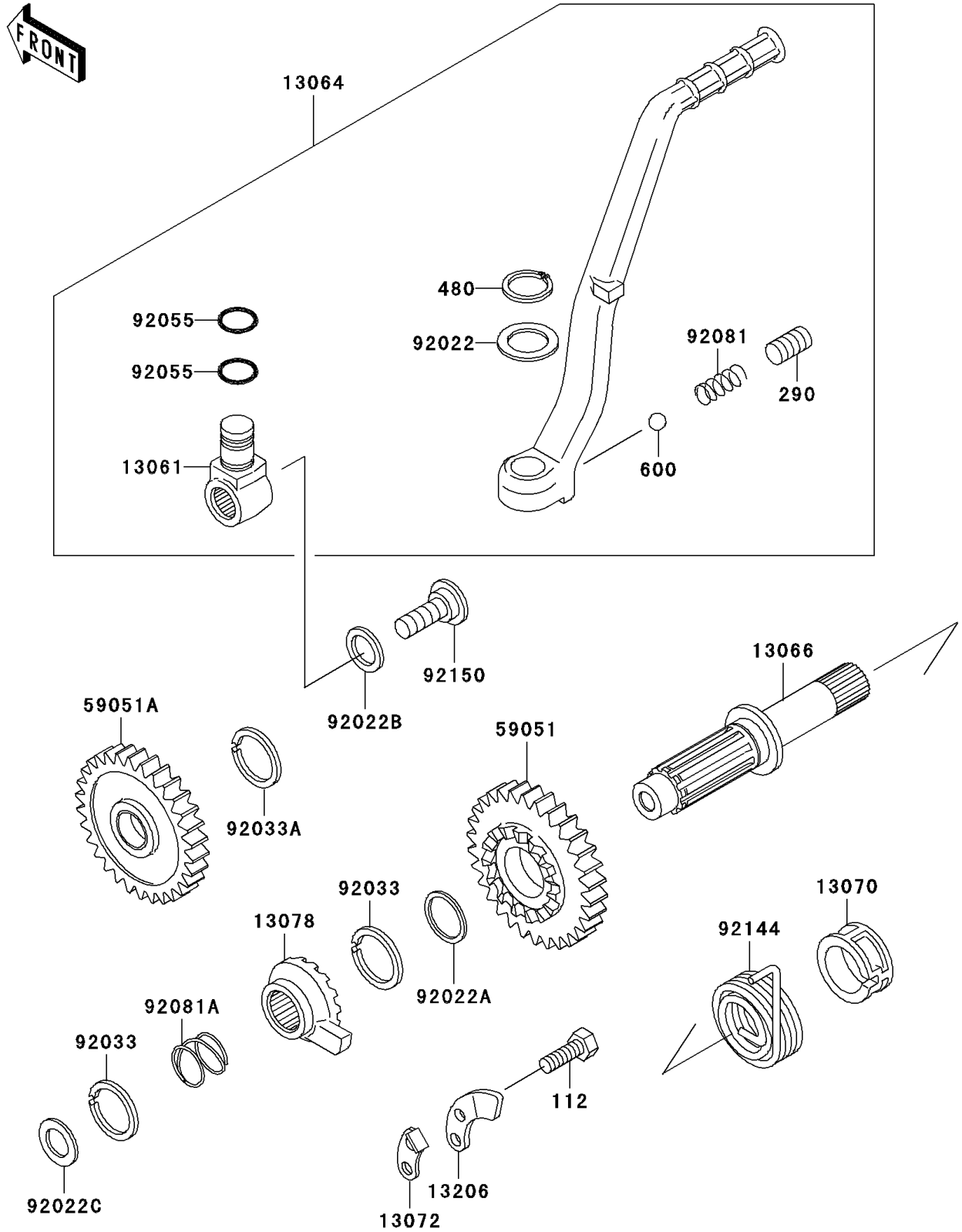


1998 KX500

PARTS DIAGRAM

Kickstarter Mechanism

E1340



1998 KX500

PARTS LIST

Kickstarter Mechanism

Kawasaki

Let the Good Times Roll®

ITEM NAME

PART NUMBER

QUANTITY
