

2020 JET SKI® STX®160LX

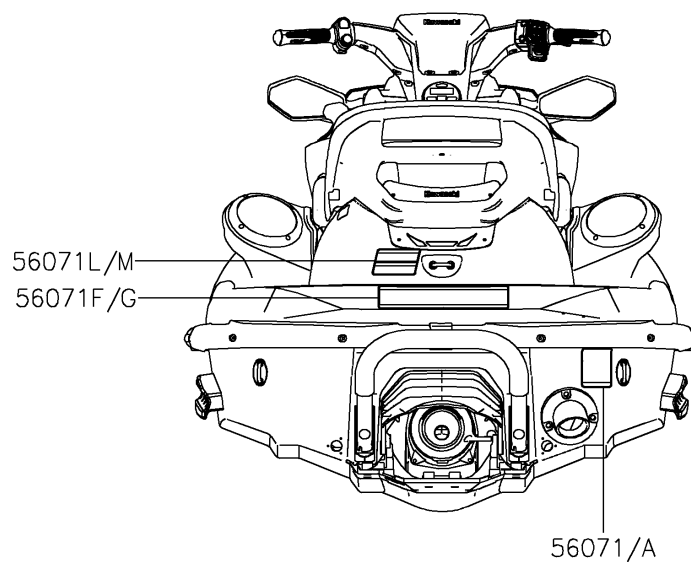
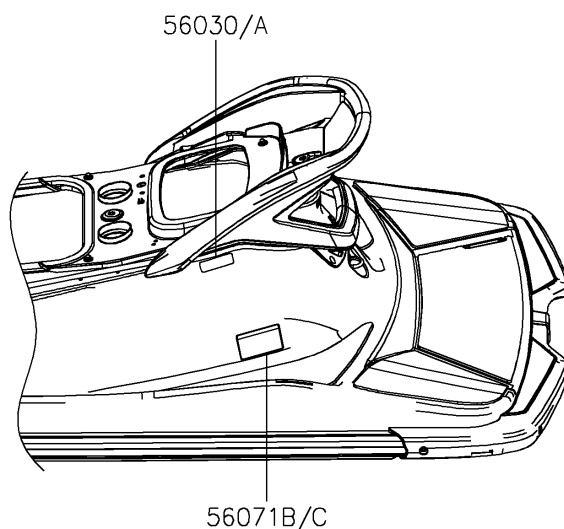
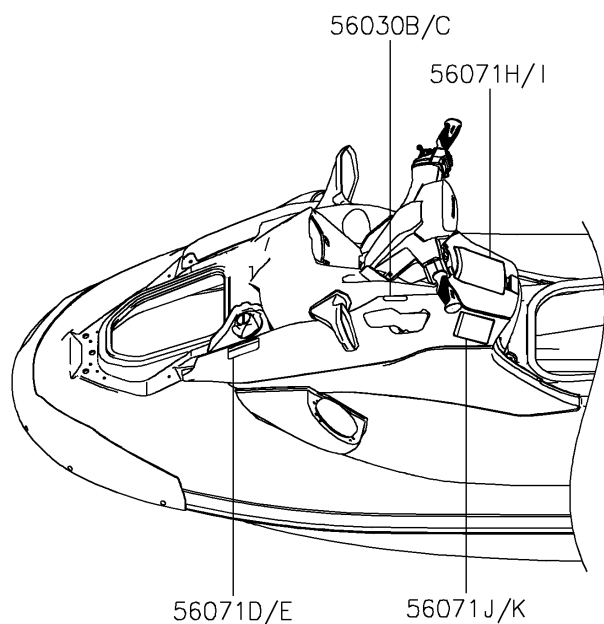
Kawasaki

Let the Good Times Roll®

PARTS DIAGRAM

Labels

F3183



2020 JET SKI® STX®160LX

PARTS LIST

Labels

ITEM NAME	PART NUMBER	QUANTITY
LABEL,FIRE EXTINGUISHER (Ref # 56030)	56030-3755	1
LABEL,FIRE EXTINGUISHER (Ref # 56030A)	56030-3757	1
LABEL,REVERSE (Ref # 56030B)	56030-3815	1
LABEL,REVERSE (Ref # 56030C)	56030-3816	1
LABEL-WARNING,RIGHTING (Ref # 56071)	56071-0398	1
LABEL-WARNING,RIGHTING (Ref # 56071A)	56071-0399	1
LABEL-WARNING,GRAB,HANDLE,STEP (Ref # 56071B)	56071-0402	1
LABEL-WARNING,GRAB,HANDLE,STEP (Ref # 56071C)	56071-0403	1
LABEL-WARNING,FUEL SUPPLY (Ref # 56071D)	56071-0424	1
LABEL-WARNING,FUEL SUPPLY (Ref # 56071E)	56071-0425	1
LABEL-WARNING,RIDER SAFETY (Ref # 56071F)	56071-0843	1
LABEL-WARNING,RIDER SAFETY (Ref # 56071G)	56071-0844	1
LABEL-WARNING,HELM (Ref # 56071H)	56071-0846	1
LABEL-WARNING,HELM (Ref # 56071I)	56071-0847	1
LABEL-WARNING,READ AND FOLLOW (Ref # 56071J)	56071-0880	1
LABEL-WARNING,READ AND FOLLOW (Ref # 56071K)	56071-0884	1
LABEL-WARNING,REBOARDING (Ref # 56071L)	56071-0904	1
LABEL-WARNING,REBOARDING (Ref # 56071M)	56071-0905	1