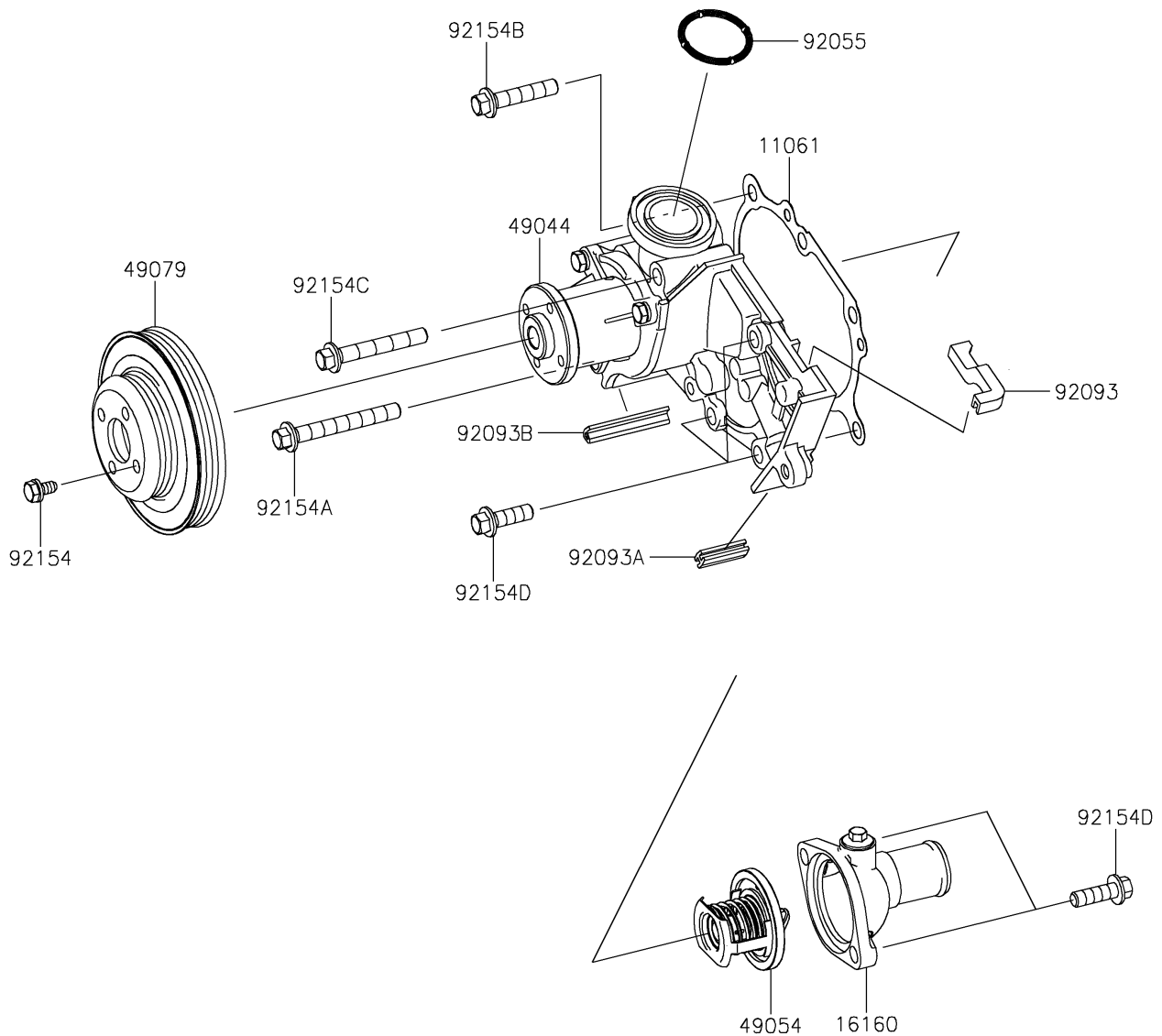


# 2021 MULE PRO-FXT™ EPS CAMO

## PARTS DIAGRAM

### Water Pump

E3031



# 2021 MULE PRO-FXT™ EPS CAMO

## PARTS LIST

### Water Pump

ITEM NAME	PART NUMBER	QUANTITY
-----------	-------------	----------

---