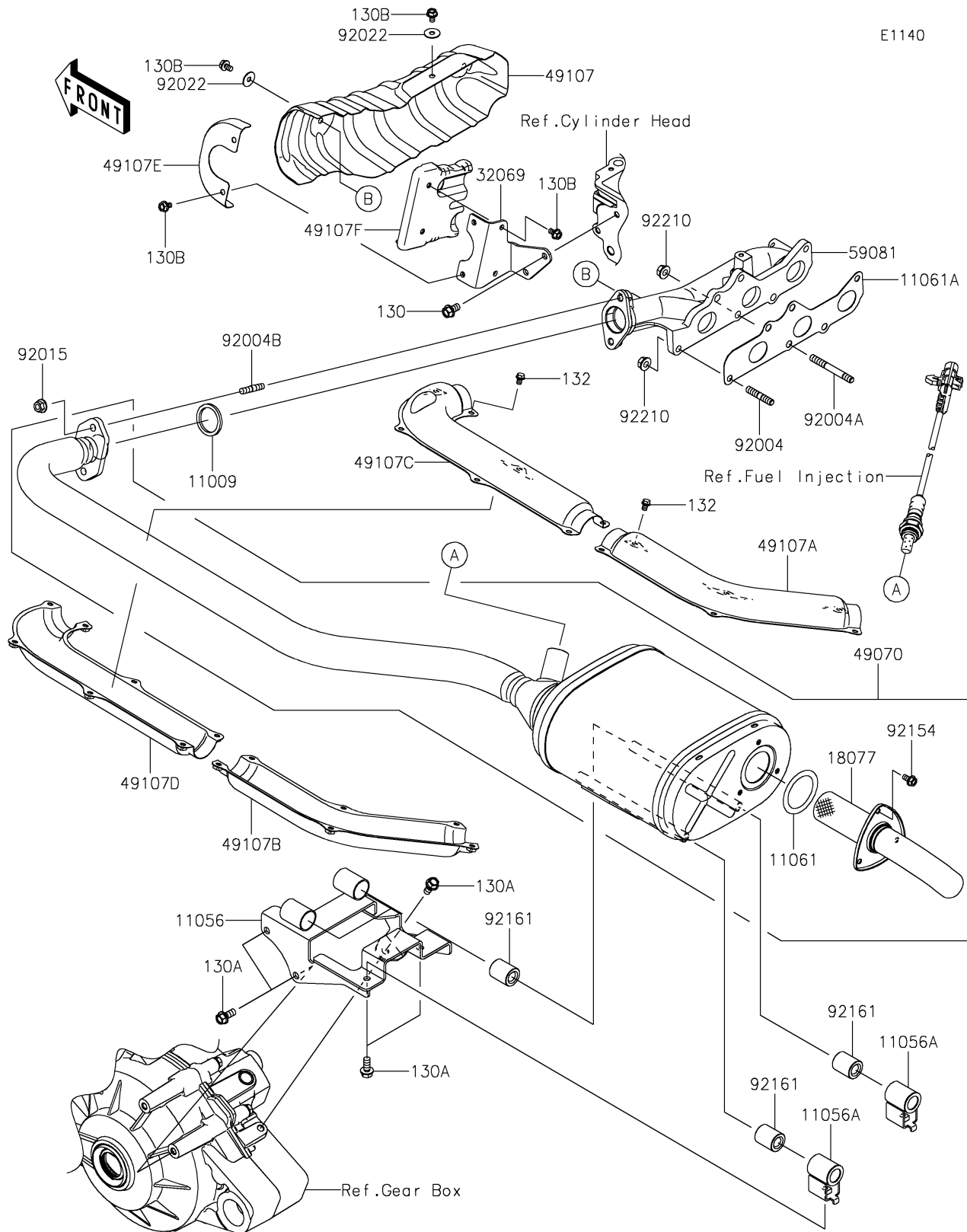


# 2021 MULE PRO-FXT™ EPS CAMO

## PARTS DIAGRAM

### Muffler(s)



# 2021 MULE PRO-FXT™ EPS CAMO

## PARTS LIST

Muffler(s)

| ITEM NAME | PART NUMBER | QUANTITY |
|-----------|-------------|----------|
|-----------|-------------|----------|

---