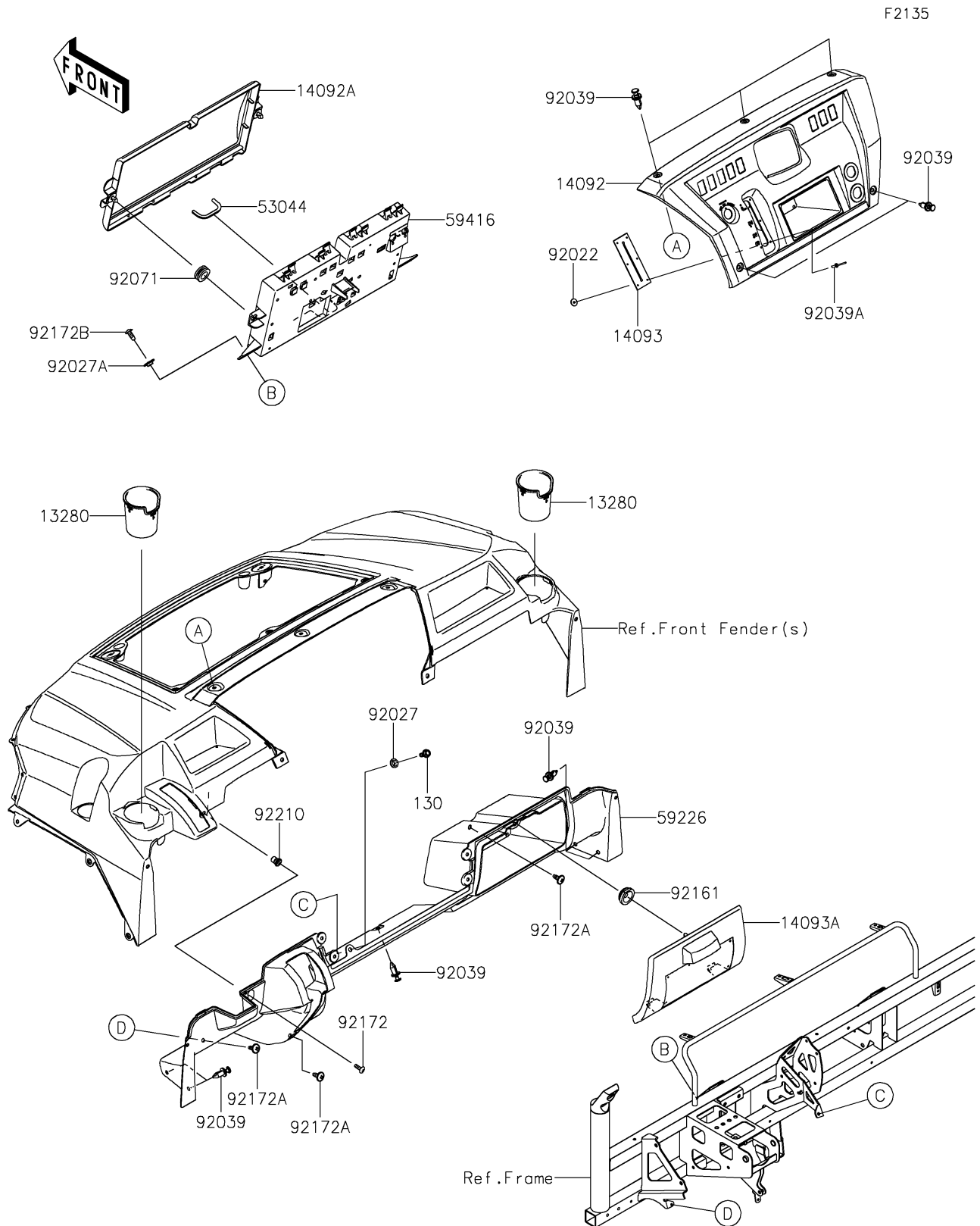


# 2021 MULE PRO-FXT™

## PARTS DIAGRAM

### Front Box



# 2021 MULE PRO-FXT™

## PARTS LIST

Front Box

**ITEM NAME**

**PART NUMBER**

**QUANTITY**

---