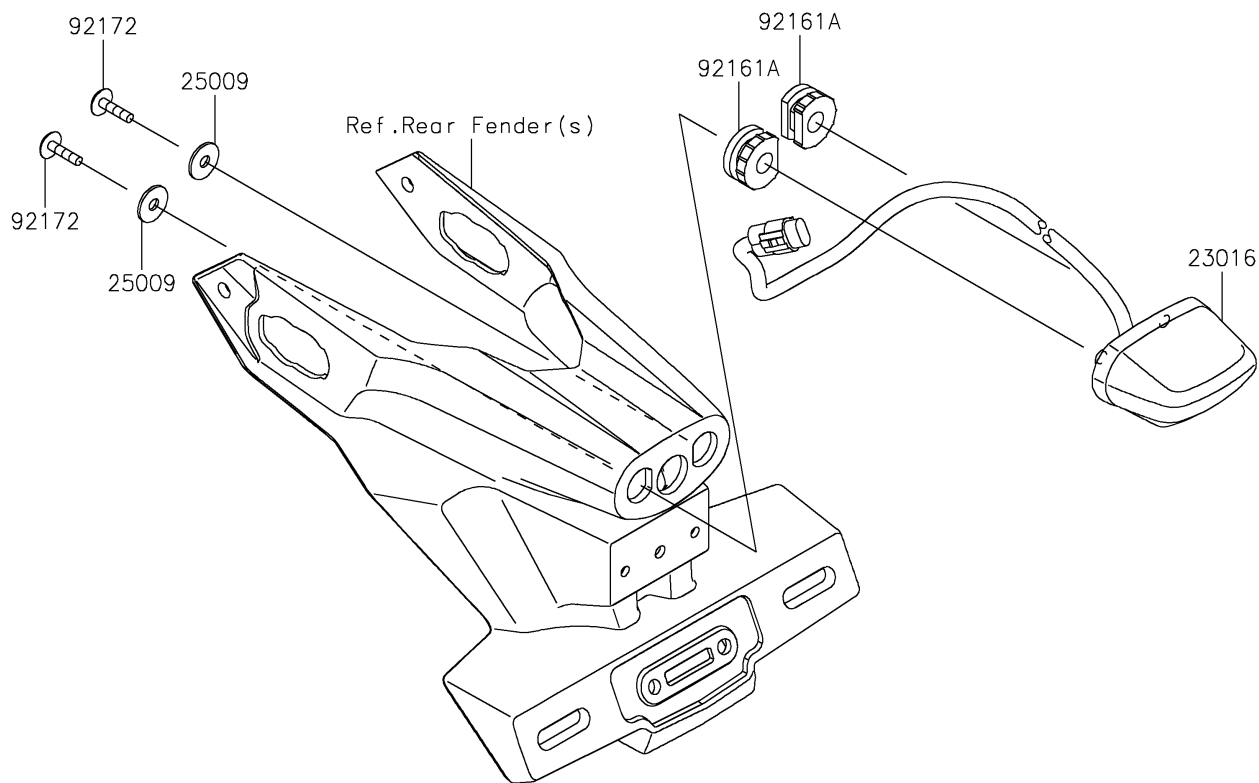
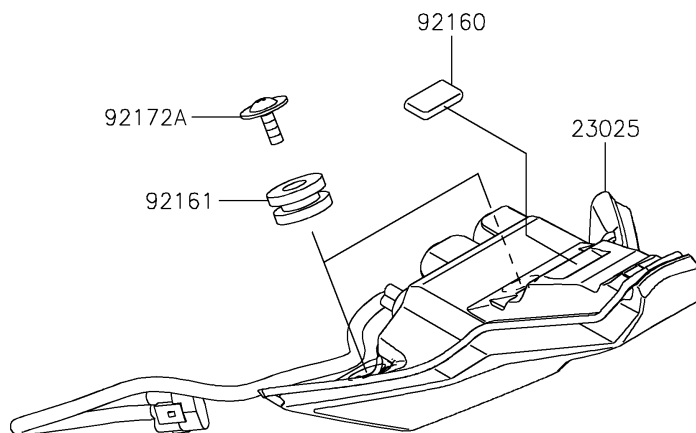


# 2021 NINJA® ZX™-10R

## PARTS DIAGRAM

### Taillight(s)

F2720



# 2021 NINJA<sup>®</sup> ZX<sup>™</sup>-10R

## PARTS LIST

### Taillight(s)

ITEM NAME	PART NUMBER	QUANTITY
LAMP-ASSY,LICENSE,LED (Ref # 23016)	23016-0639	1
LAMP-TAIL,LED,CCC (Ref # 23025)	23025-0377	1
WASHER,5.2X16X1.2 (Ref # 25009)	25009-004	2
DAMPER (Ref # 92160)	92160-1190	1
DAMPER (Ref # 92161)	92161-0163	2
DAMPER,9X23X12 (Ref # 92161A)	92161-1885	2
SCREW,TAPPING,5X16 (Ref # 92172)	92172-0238	2
SCREW,TAPTITE,5X16 (Ref # 92172A)	92172-0481	2