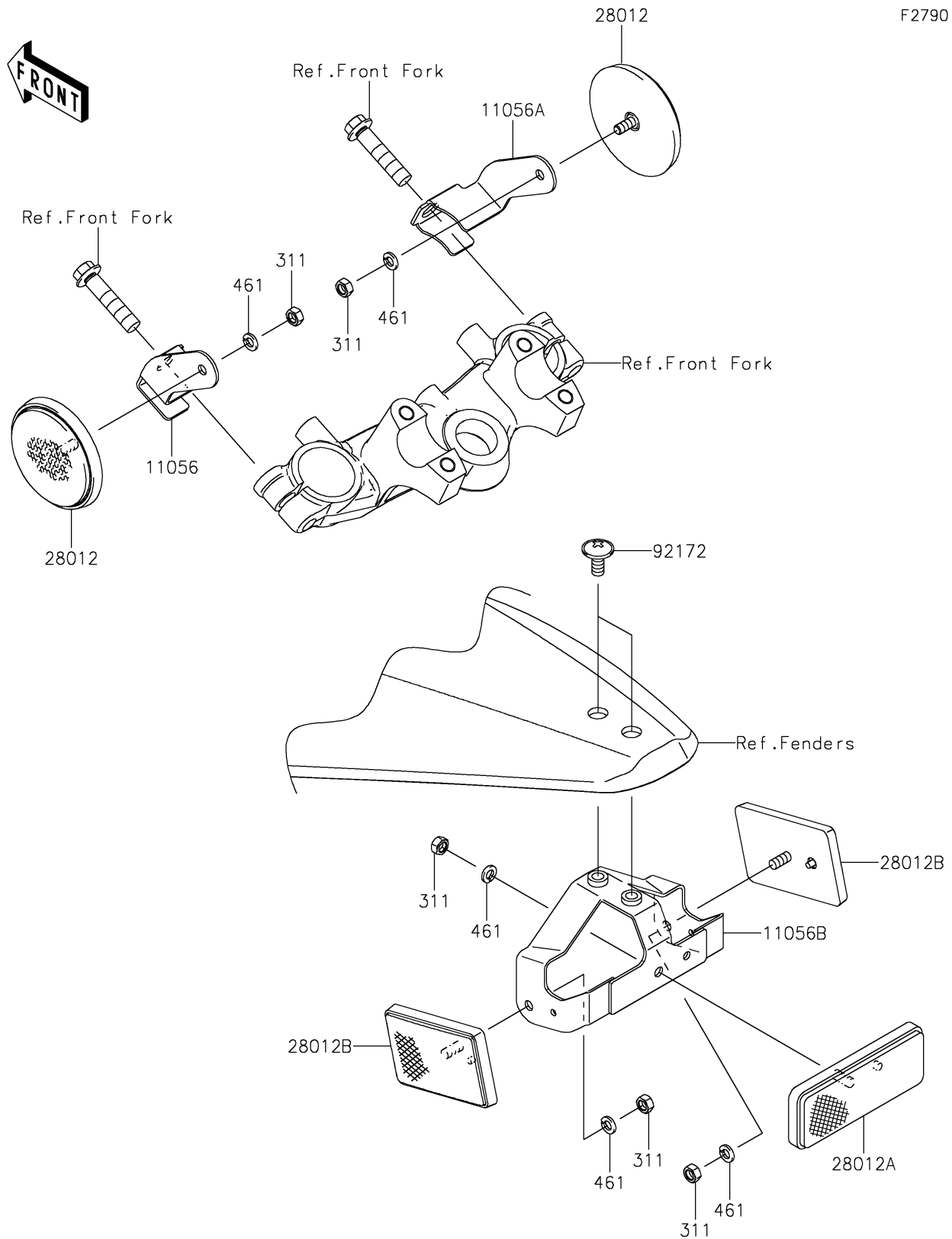


2022 KLX110

PARTS DIAGRAM

Reflectors(CN)

F2790



2022 KLX110

PARTS LIST

Reflectors(CN)

| ITEM NAME | PART NUMBER | QUANTITY |
|--|-------------|----------|
| BRACKET,REFLECTOR,FR,LH (Ref # 11056) | 11056-0028 | 1 |
| BRACKET,REFLECTOR,FR,RH (Ref # 11056A) | 11056-0029 | 1 |
| BRACKET,REFLECTOR,RR (Ref # 11056B) | 11056-0111 | 1 |
| REFLECTOR-REFLEX (Ref # 28012) | 28012-0008 | 2 |
| REFLECTOR-REFLEX (Ref # 28012A) | 28012-1077 | 1 |
| REFLECTOR-REFLEX (Ref # 28012B) | 28012-1088 | 2 |
| SCREW,6X14 (Ref # 92172) | 92172-0401 | 2 |
| NUT-HEX (Ref # 311) | 311BA0500 | 5 |
| WASHER-SPRING,5MM (Ref # 461) | 461DA0500 | 5 |